

# Variable Attenuators

0.8-2.5, 4-26.5 GHz

## Miniature Variable Attenuators

- Low Minimum Insertion Loss
- Small Size, Lightweight
- Operational to 105°C without Degradation (125°C storage)
- Excellent for Communications



### Specifications

SMA (F), 0.8 to 18 GHz

FREQUENCY RANGE (GHz)	MODEL	ATTENUATION (dB min.)	POWER INPUT		VSWR (max.)	INSERTION LOSS (dB max.)	FREQUENCY SENSITIVITY (dB)	WEIGHT (max)	
			AVERAGE (W max.)	PEAK (kW max.)				oz.	gr.
0.8-2.5	4790*	20	5	3	1.5	0.5	—	10.6	300
4-18	4791	15	5	3	4-11 GHz: 1.5 11-18 GHz: 1.7	1.0	±3.5	5.5	160
8-18	4792	30	5	3	8-11 GHz: 1.5 11-18 GHz: 1.7	8-12.4 GHz: 0.5 12.4-18 GHz: 1.0	±3.5	5.5	160
12.4-18	4793	30	5	3	1.7	1.0	±2.0	5.5	160

3.5 mm (F), 7 to 26.5 GHz

FREQUENCY RANGE** (GHz)	MODEL	ATTENUATION (dB min.)	POWER INPUT		VSWR (max.)	INSERTION LOSS (dB max.)		FREQUENCY SENSITIVITY (dB)	WEIGHT	
			AVERAGE (W max.)	PEAK (kW max.)		7 - 12.4	12.4 - 26.5		oz.	gr.
7 - 26.5	4796	15	5	1.4	1.7 †	0.7	1.5	±3.0	7.5	213

\* Due to the sensitivity of existing dielectric properties, this model does not exhibit flat frequency sensitivity.

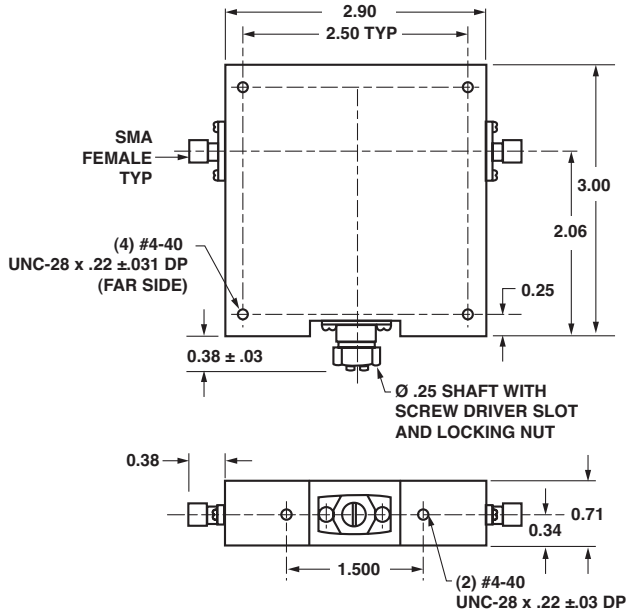
\*\* Usable to 33 GHz

† Maximum VSWR from 12.4 - 18 GHz is 1.6

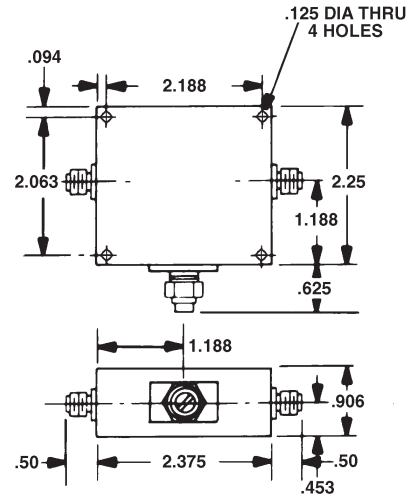


# Variable Attenuators

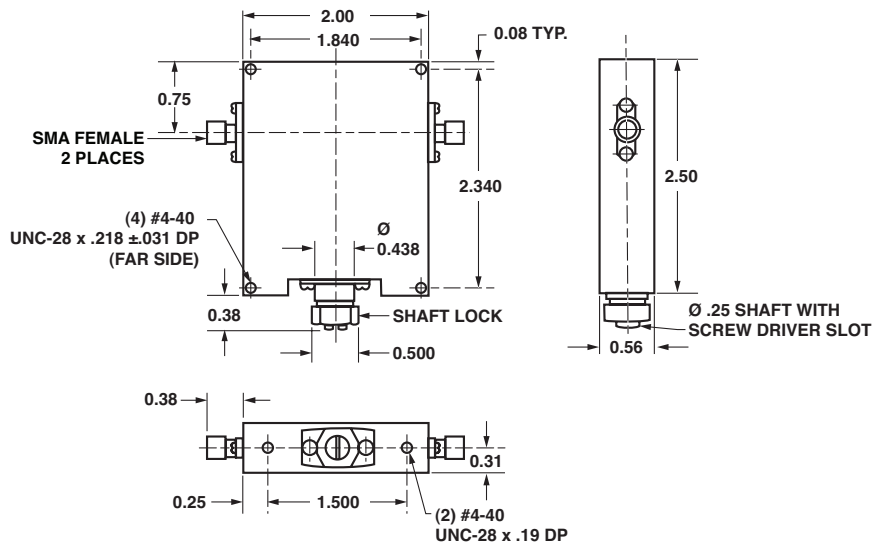
## Outline Drawings



MODEL 4790



MODEL 4796



MODELS 4791, 4792, 4793

Dimensions in inches, unless otherwise specified.

