

# 6 TO 18 GHz DOUBLE-BALANCED MIXER

## MODEL: M0618W1

### FEATURES

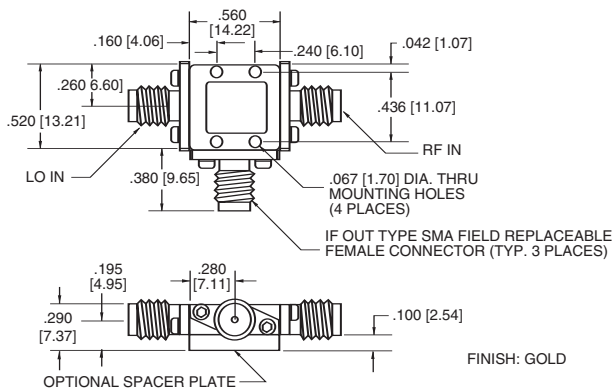
- RF/LO coverage ..... 6 to 18 GHz
- IF operation ..... DC to 6 GHz
- LO power range ..... +17 to +23 dBm
- Packaging ..... Hermetically sealed



### ELECTRICAL SPECIFICATIONS

INPUT PARAMETERS	CONDITION	UNITS	MIN.	TYP.	MAX.
RF frequency range		GHz	6		18
RF VSWR	LO = +20 dBm	Ratio		3:1	
LO frequency range		GHz	6		18
LO power range		dBm	+17		+23
LO VSWR	LO = +20 dBm	Ratio		2.75:1	
TRANSFER CHARACTERISTICS	CONDITION	UNITS	MIN.	TYP.	MAX.
Conversion loss (IF = 1 GHz)	LO = +20 dBm	dB		10	13
Single-sideband noise figure at 25°C	LO = +20 dBm	dB		10.5	
LO-to-RF isolation	LO = +20 dBm	dB	20	25	
LO-to-IF isolation		dB		15	
RF-to-IF isolation		dB		12	
Input power at 1 dB compression	LO = +20 dBm	dBm		+12	
Input two-tone third-order intercept point	LO = +20 dBm	dBm		+22	
OUTPUT PARAMETERS	CONDITION	UNITS	MIN.	TYP.	MAX.
IF frequency range	3 dB bandwidth	GHz	DC		6
IF VSWR		Ratio		2.75:1	

### OUTLINE DRAWING



NOTE: All dimensions shown in brackets [ ] are in millimeters.

### MAXIMUM RATINGS

Specification temperature ..... +25°C  
 Operating temperature ..... -54 to +85°C  
 Storage temperature ..... -65 to +125°C

NOTE: Test data supplied at 25°C;  
 conversion loss and LO-to-RF isolation.

