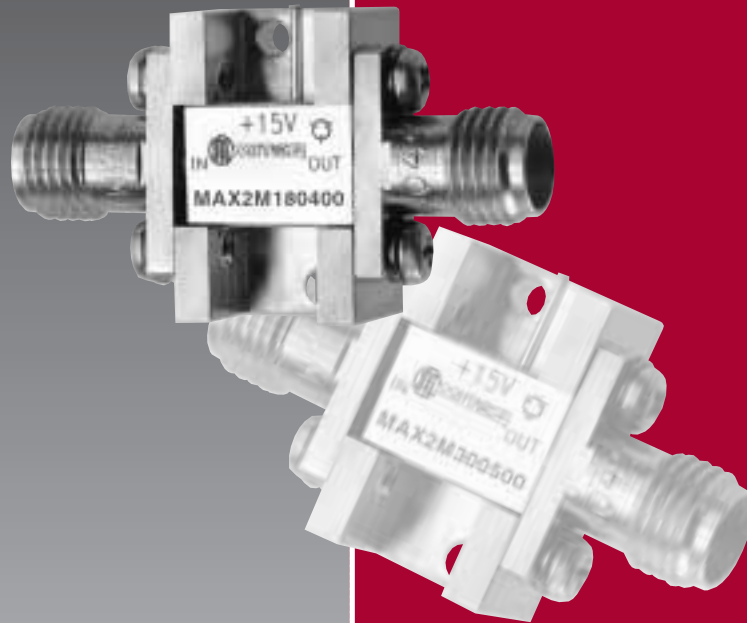




ULTRA- WIDEBAND MULTIPLIERS



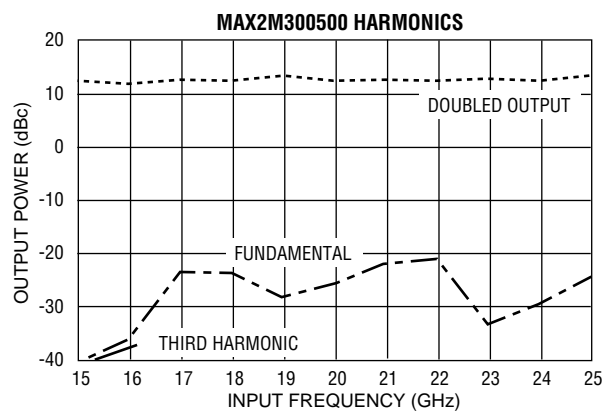
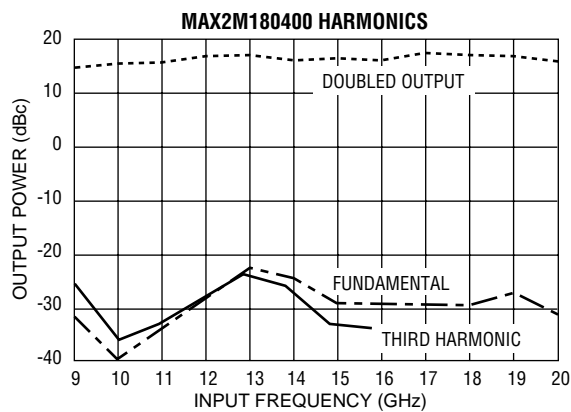
MODEL NUMBER	INPUT FREQUENCY	OUTPUT FREQUENCY	CONNECTORS IN/OUT (Female)
MAX2M180400	9–20 GHz	18–40 GHz	SMA/K
MAX2M300500	15–25 GHz	30–50 GHz	K/V

These hermetically sealed multipliers will meet most environmental conditions and are supplied with field replaceable female connectors, which can be removed for use in a drop-in connection.

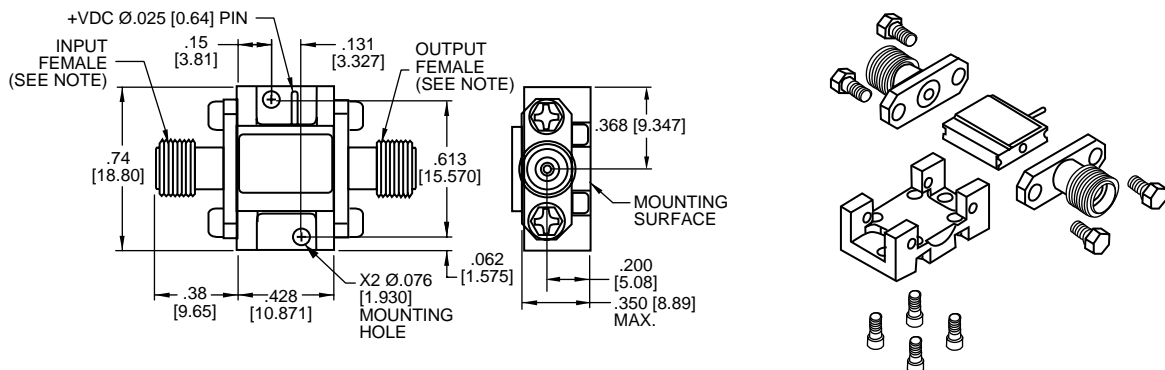
SPECIFICATIONS

	MAX2M180400	MAX2M300500
Input frequency	9–20 GHz	15–25 GHz
Input power	+10 dBm	+10 dBm
Input VSWR	2.5:1 typical	2.5:1 typical
Output frequency	18–40 GHz	30–50 GHz
Output power	+11 dBm minimum	+10 dBm minimum
Output VSWR	2.5:1 maximum	2.5:1 maximum
Output power flatness	±1.5 dB maximum	±1.5 dB maximum
Output harmonic rejection	20 dBc minimum	20 dBc minimum
Spurious (non-harmonic)	60 dBc minimum	60 dBc minimum
DC voltage	8–15 V	8–15 V
Current	150 mA nominal	150 mA nominal
Connectors in/out (female)	SMA/K	K/V
Operating temperature		-40 to +75°C
Storage temperature		-40 to +85°C
Humidity		95% noncondensing
Vibration	7 Gs RMS, 50-5000CPS, Per MIL-STD-810B, Method 514, Procedure 8	
Note: Specifications guaranteed at 23°C.		

TYPICAL TEST DATA



OUTLINE DRAWING



Note: Connectors are field replaceable; K type (26–40 GHz), V type (above 40 GHz) and SMA type (below 40 GHz).

For additional information, please contact Joe Decker at (631) 439-9521 or jdecker@miteq.com.



100 Davids Drive, Hauppauge, NY 11788
 TEL.: (631) 436-7400 • FAX: (631) 436-7430
www.miteq.com