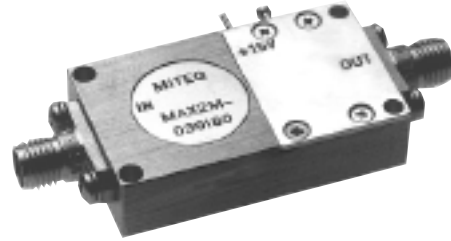


ACTIVE FREQUENCY DOUBLERS (CONT.)

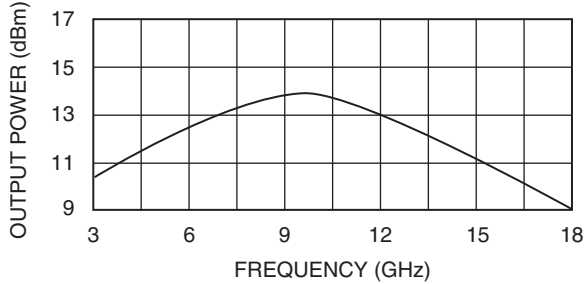
MODEL: MAX2M030180

ELECTRICAL SPECIFICATIONS

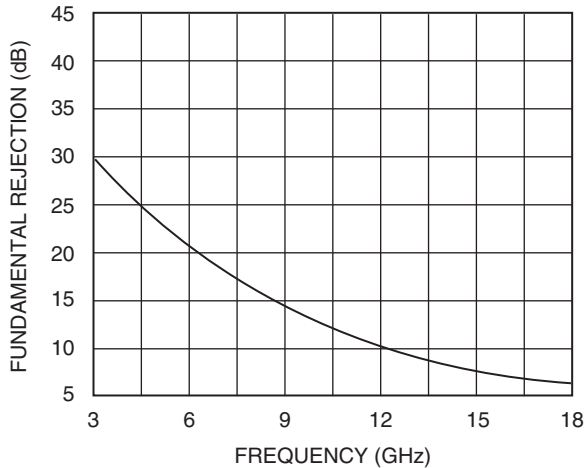
Input frequency range	1.5 – 9 GHz minimum
Output frequency range	3 – 18 GHz minimum
Input power range	8 – 12 dBm nominal
Conversion loss	0 dB typical
Optional input/output power	
MAX2J030180	3–8 dBm
MAX2H030180	12–16 dBm
MAX2V030180	16–20 dBm
Harmonic rejection	
Fundamental	15 dB typical
Odd harmonic	20 dB typical
DC voltage/current	+15 volts @ 160 mA typical



OUTPUT POWER VS. FREQUENCY

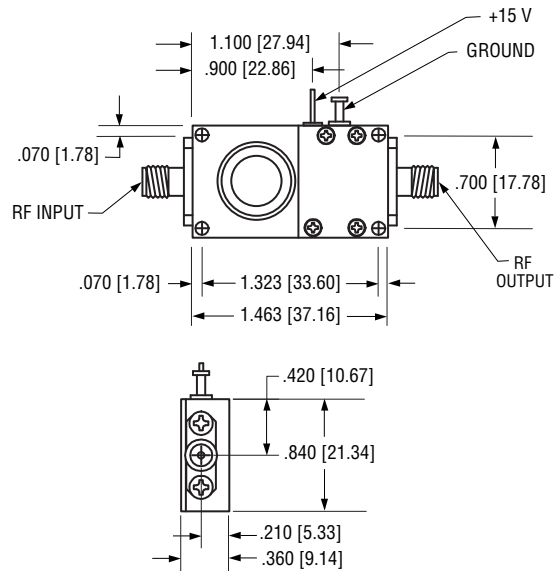


FUNDAMENTAL REJECTION VS. FREQUENCY
($P_{IN} = +10$ dBm)



OUTLINE DRAWING

MAX2B



NOTE:

1. All dimensions shown in brackets [] are in millimeters.