

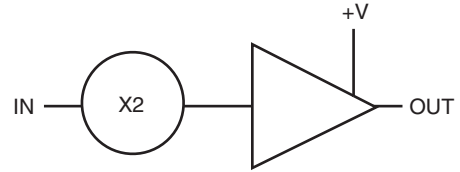
ACTIVE FREQUENCY DOUBLERS (CONT.)

MODEL: SYS2M130260

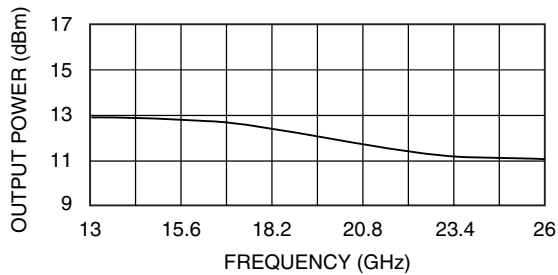
ELECTRICAL SPECIFICATIONS

Input frequency range	6.5 – 13 GHz minimum
Output frequency range	13 – 26 GHz minimum
Input power range	8 – 12 dBm nominal
Conversion gain	0 dB typical
Optional input/output power	
SYS2J130260	3–8 dBm
SYS2H130260	12–16 dBm
SYS2V130260	16–20 dBm
Harmonic rejection	
Fundamental	-20 dB typical
Odd harmonic	-20 dB typical
DC voltage/current	+15/100
SYS2V130260	+15/350

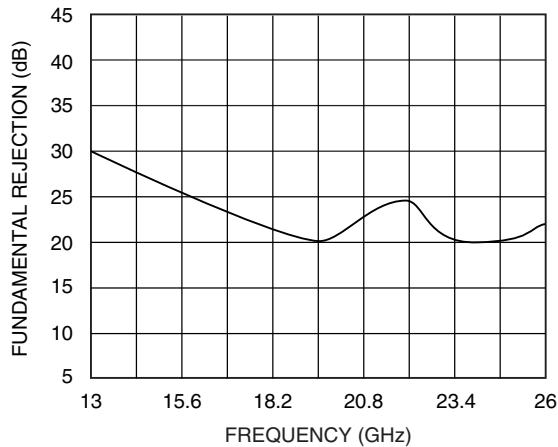
FUNCTIONAL BLOCK DIAGRAM



OUTPUT POWER VS. FREQUENCY

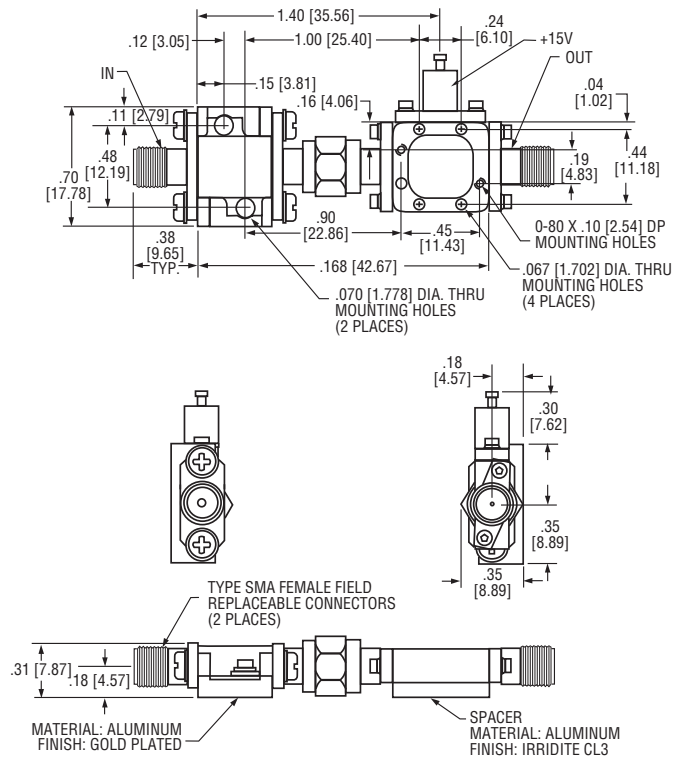


FUNDAMENTAL REJECTION VS. FREQUENCY ($P_{IN} = +10$ dBm)



OUTLINE DRAWING

160833



NOTE:

1. All dimensions shown in brackets [] are in millimeters.