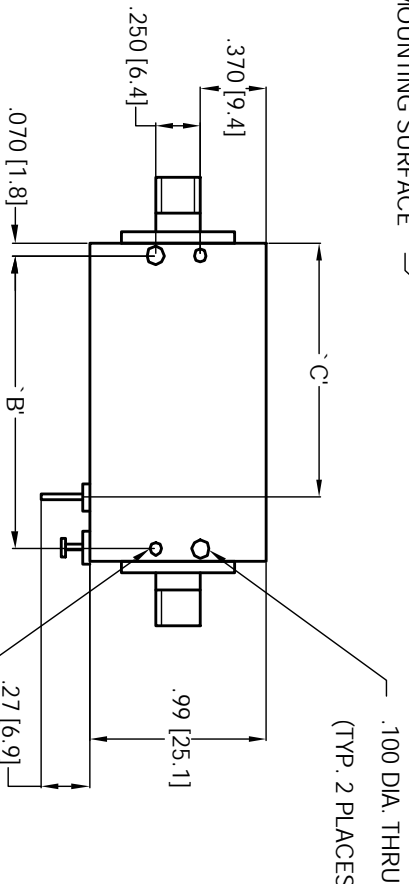
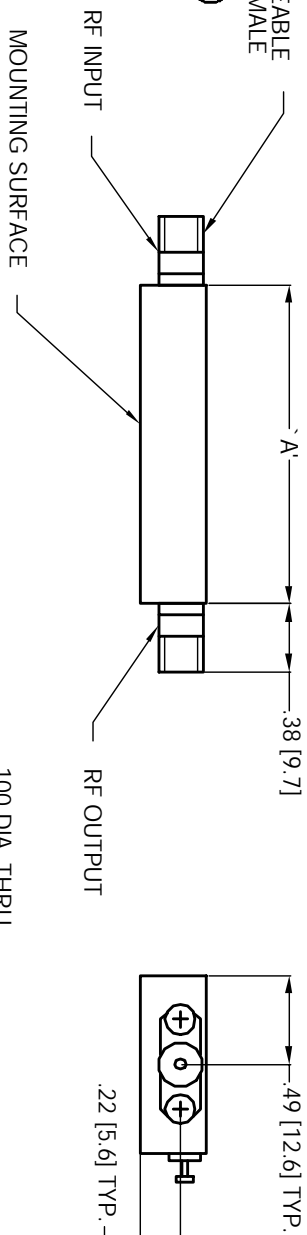


REVISIONS			
ZONE	LTR	DESCRIPTION	DATE APPROVED
D	INSERT	DWG FORMAT	1/17/2005 <i>J. Bouchard</i>

FIELD REPLACEABLE
TYPE SMA FEMALE
CONNECTOR
(TYP 2 PLACES)



#2-56 TAP THRU MOUNTING HOLES
(TYP. 2 PLACES DIAGONALLY)

DASH NO.	DIM 'A'	DIM 'B'	DIM 'C'
-1	1.218	1.078	.75
-2	1.756	1.616	1.29
-3	2.294	2.154	1.82
-4	2.932	2.792	2.47
-5	3.570	3.430	3.11
-6	4.208	4.068	3.74
-7	4.846	4.706	4.38

UNLESS OTHERWISE SPECIFIED
DIMENSIONS ARE IN INCHES
DECIMALS TOLERANCES ON ANGLES
XXX.01 .XXX±.005 EDSB

DATE: 2/17/98
DRAWN BY: J. Bouchard
APPROVED BY: J. Bouchard
DATE: 1/17/2005

OUTLINE DRAWING
5-5 GHz AMF SERIES
AMP SIDE DC FEED

SIZE: C
CODE IDENT. NO.: 33592
REV. D