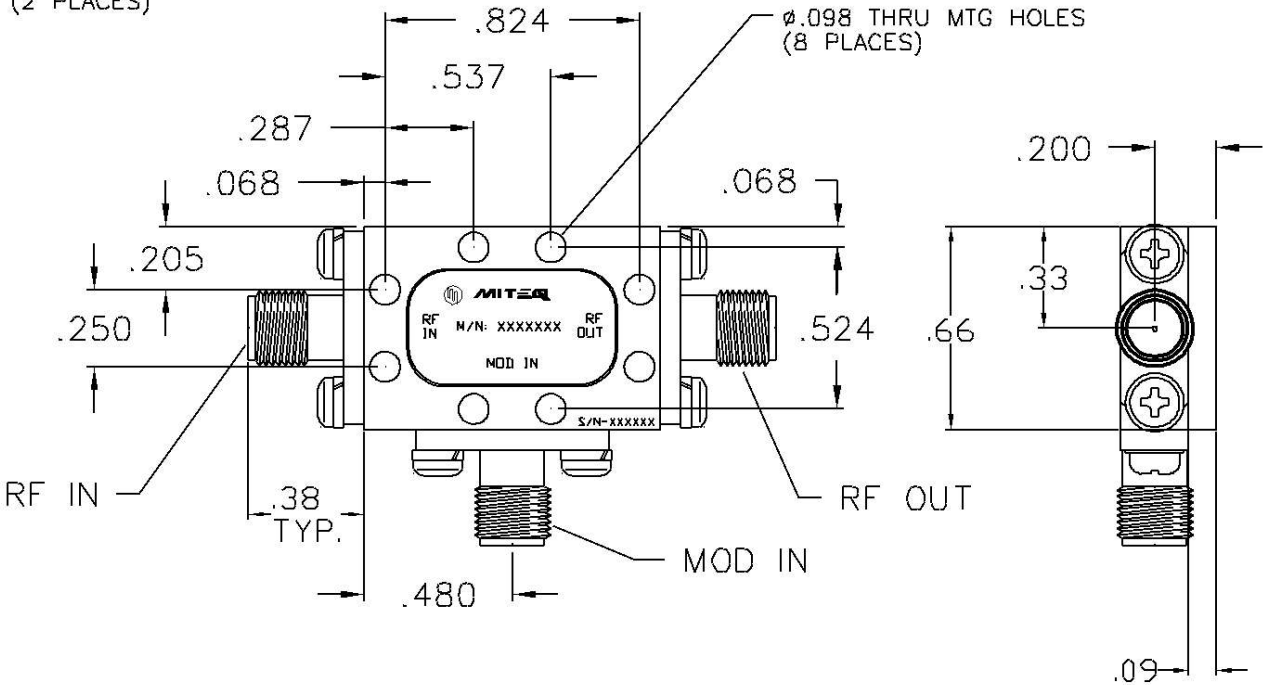
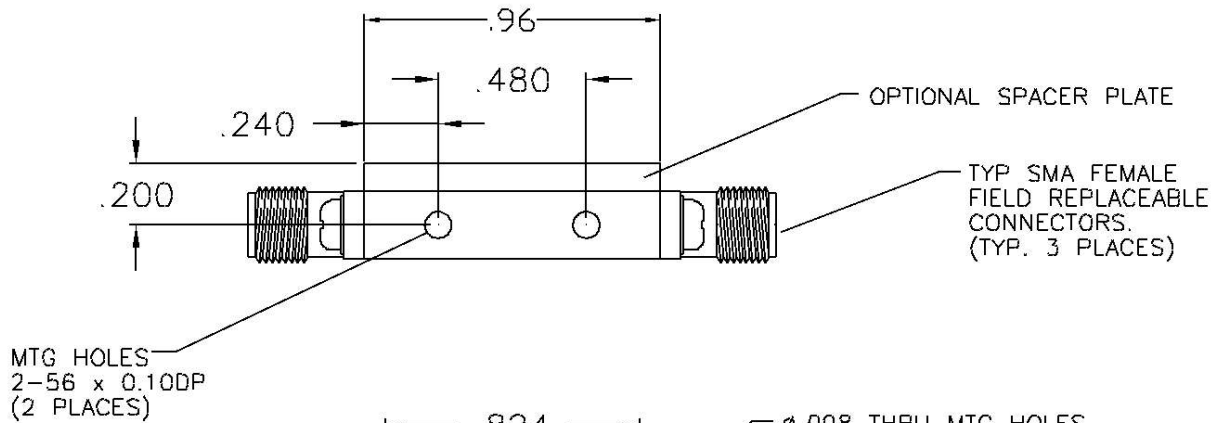


DASH NO.	APPLICATION		REVISIONS			
	NEXT ASSY	USED ON	LTR	DESCRIPTION	DATE	APPROVED
			B	ASQL-Form. Redrawn 1:1 Scale	2/17/2006	L. Cardinal



FINISH: NICKEL

ALL PAGES ARE OF ORIGINAL ISSUE (A) EXCEPT AS NOTED. UNLESS OTHERWISE SPECIFIED DIMENSIONS ARE IN INCHES (MM) TOLERANCES ON DECIMAL ANGLES .XX±.01 .XXX±.005 ±0°30'	CONTR. NO. MQ0146197		100 Davids Drive, Hauppauge, New York 11788	
	PREP BY <i>D. LoCICERO</i>	DATE 5/18/1992		
	CHKD BY <i>L. Cardinal</i>	DATE 2/17/2006	SIZE A	CODE IDENT. NO. 33592
	PROJ ENGR <i>D. Spohrer</i>	DATE 2/21/2006	SCALE	REV. B