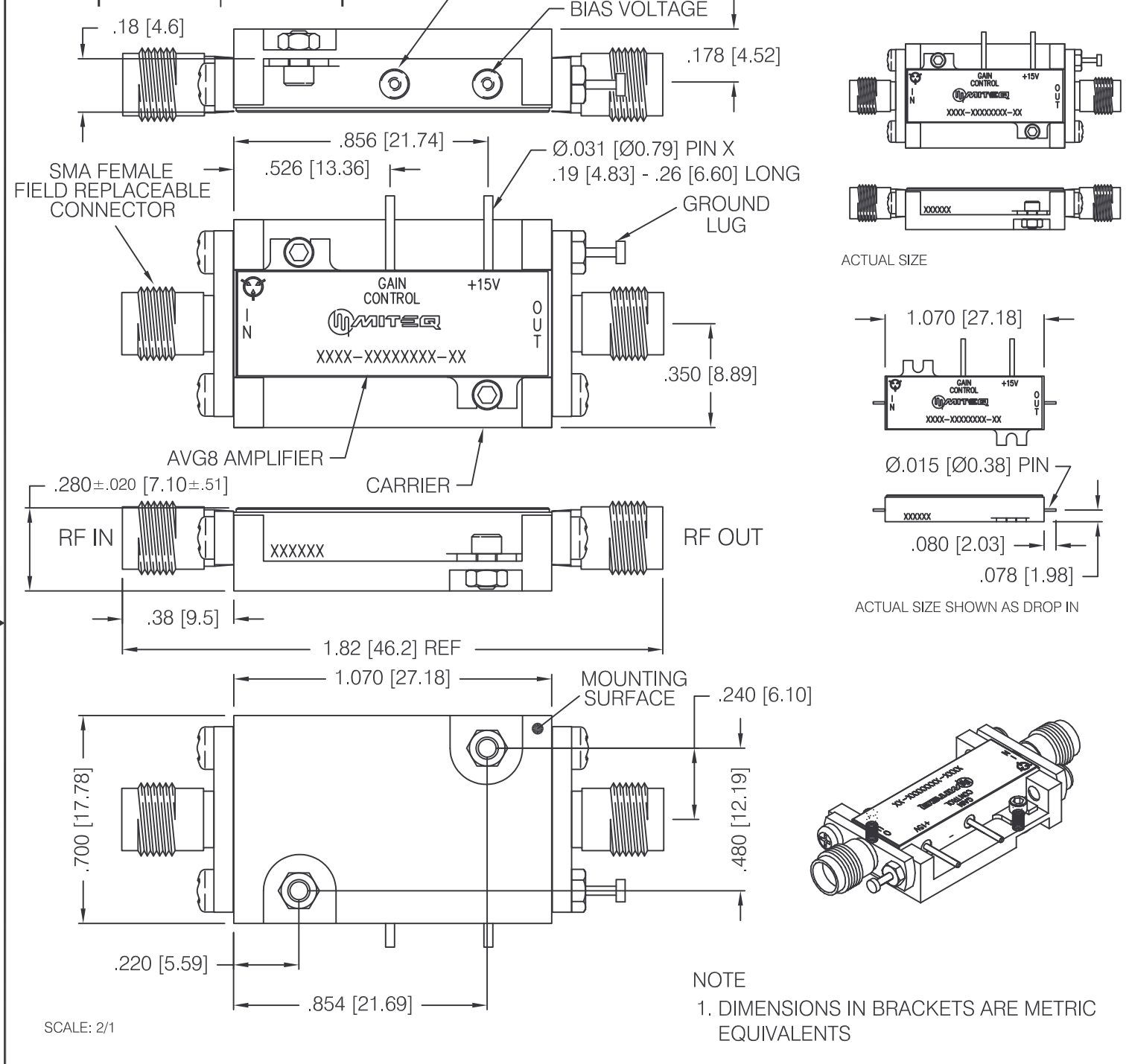



DASH NO.	APPLICATION		REVISIONS			
	NEXT ASSY	USED ON	LTR	DESCRIPTION	DATE	APPROVED
			G	MARKING CORRECTION	08/10/01	



UNLESS OTHERWISE SPECIFIED DIMENSIONS ARE IN INCHES TOLERANCES ON	NAME	DATE	 100 Davids Drive, Hauppauge, New York 11788			
	DWN BY	D SCHMITZ				05/26/92
	DECIMAL .XX ±.01 DECIMAL .XXX ±.005 ANGLES X° ±30'	CHK BY		8 STAGE AVG AMPLIFIER OUTLINE		
	AMPLIFIER - KOVAR CARRIER - ALUM	PROJ ENGR				
	SECT HEAD		SIZE	CODE IDENT. NO.		REV
	Q.C.		A	33592	119393	G
	CUST		SCALE	PROJECT	SHEET	1 OF 1