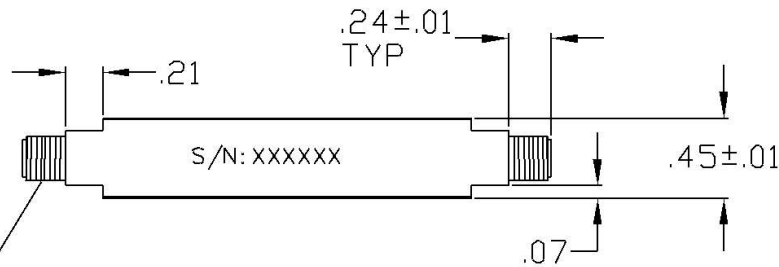
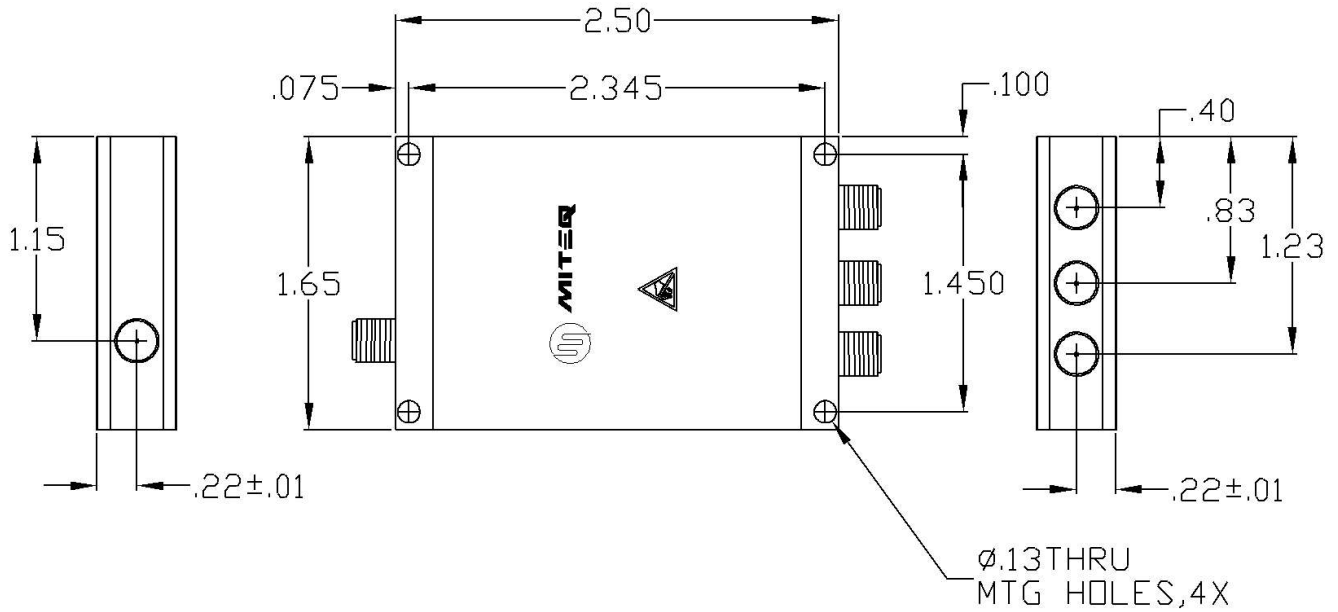


DASH NO.	APPLICATION		REVISIONS			
	NEXT ASSY	USED ON	LTR	DESCRIPTION	DATE	APPROVED
	HOUSING	120885	C	ASQL-Form, Redrawn 1:1 scale, and	04/28/08	<i>L. Cardinal</i>
			C	Images, Finish & Dims. corrected. Remove Mat'l.		



TYPE RF SMA FEMALE CONNECTOR 4X

FINISH: NICKEL PLATE

ALL PAGES ARE OF ORIGINAL ISSUE (A) EXCEPT AS NOTED.	CONTR NO.	MQ0162045			100 Davids Drive, Hauppauge, New York 11788	
	ORIGINALLY DRAWN BY	A.LASALA	5/92			
UNLESS OTHERWISE SPECIFIED DIMENSIONS ARE IN INCHES (MM) TOLERANCES ON DECIMAL ANGLES .XX±.01 XXX±.005 ±0°30'	PREP BY	<i>L. Cardinal</i>	DATE	04/29/08		
	CHKD BY	<i>L. Cardinal</i>	DATE	07/01/08		
	PROJ ENGR	<i>P. Bastedo</i>	DATE	07/02/08		
	APPROVAL (PROJ)			SIZE	CODE IDENT. NO.	119605
APPROVAL (GOVT)			A	33592		
		SCALE	REV.	C	SHEET 1 OF 1	