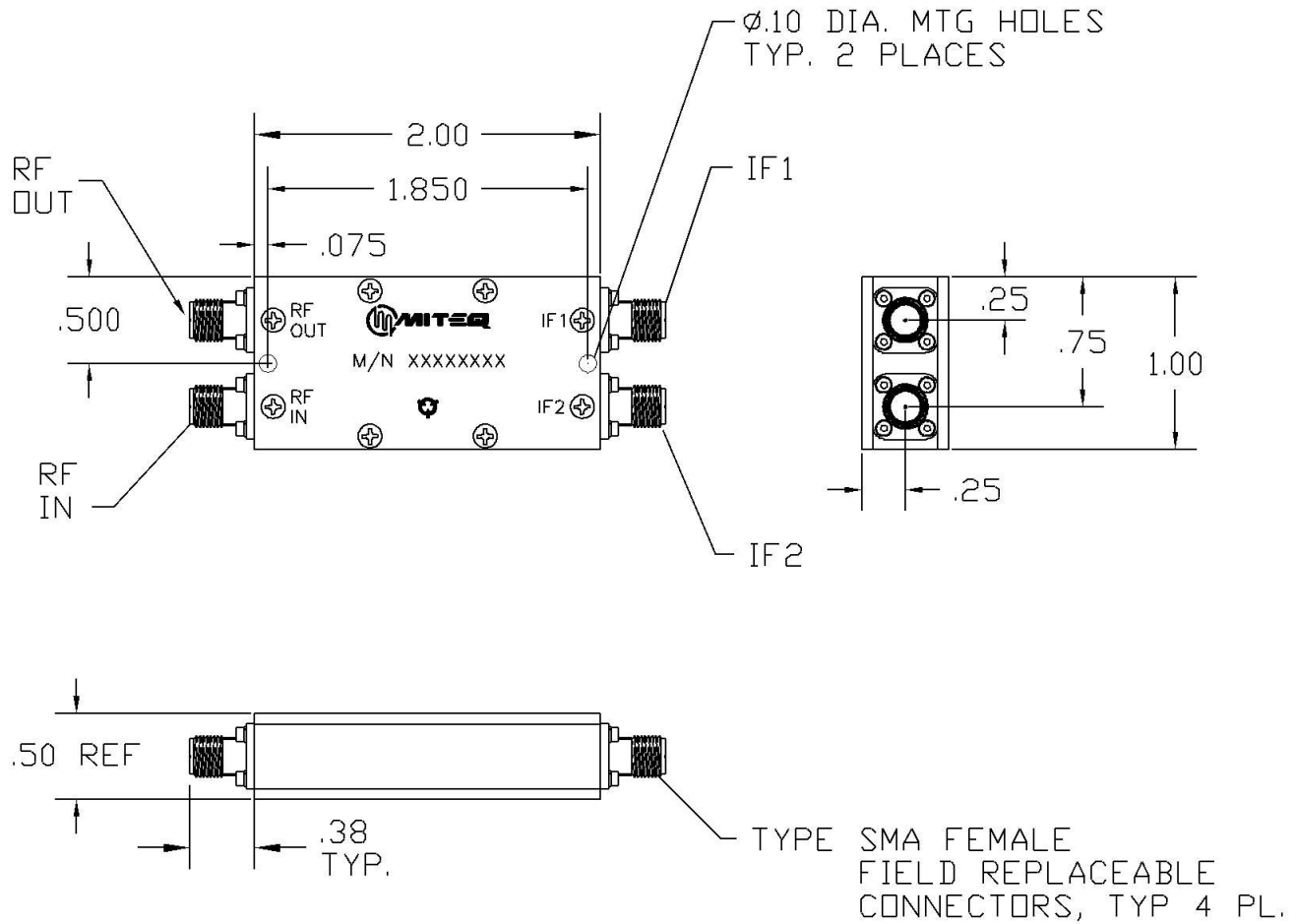


DASH NO.	APPLICATION		REVISIONS			
	NEXT ASSY	USED ON	LTR	DESCRIPTION	DATE	APPROVED
			D	ASQL FORMATTED	1/19/2005	L. Cardinal



MATERIAL: ALUMINUM
FINISH: NICKEL PLATE

ALL PAGES ARE OF ORIGINAL ISSUE (A) EXCEPT AS NOTED.	CONTR NO. MQ0136656		 100 Davids Drive, Hauppauge, New York 11788		
	PREP BY <i>D. LaCICERO</i>	DATE 10/9/1992			
UNLESS OTHERWISE SPECIFIED DIMENSIONS ARE IN INCHES (MM) TOLERANCES ON DECIMAL .XX±.01 XXX±.005 ANGLES ±0°30'	CHKD BY <i>L. Cardinal</i>	DATE 1/19/2005	OUTLINE DRAWING SM...C2 SERIES C2 PKG		
	PROJ ENGR <i>S. Spohrer</i>	DATE 1/19/2005			
	APPROVAL (PROJ)		SIZE A	CODE IDENT. NO. 33592	119870
	APPROVAL (GOVT)		SCALE	REV. D	SHEET 1 OF 1