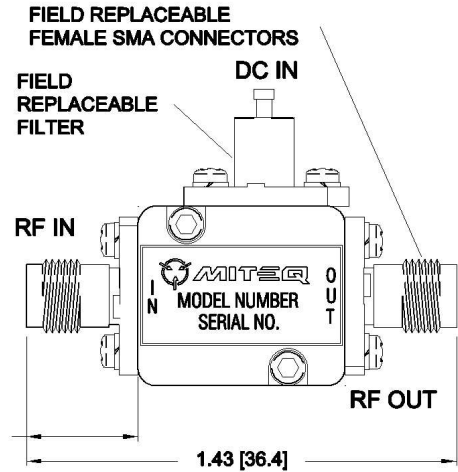
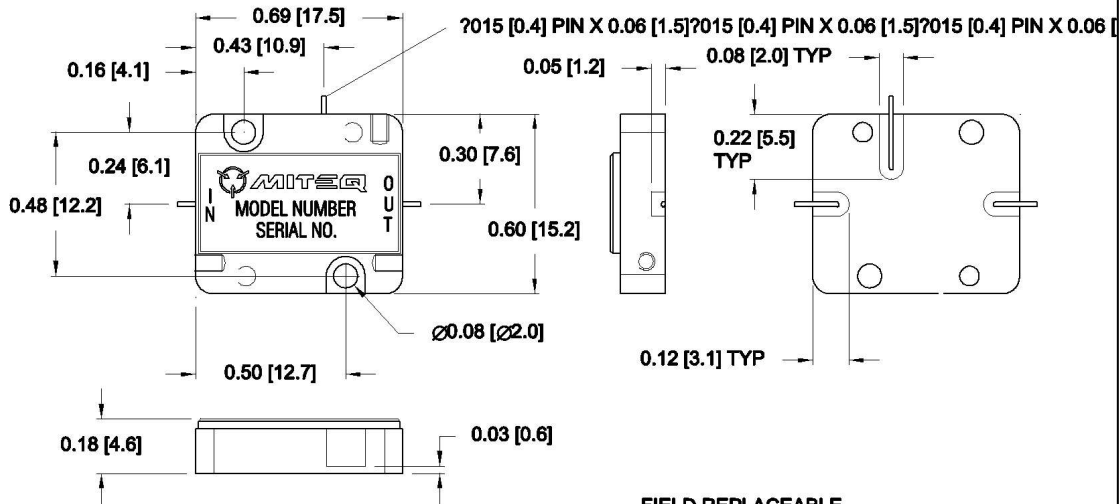


DASH NO.	APPLICATION		REVISIONS			
	NEXT ASSY	USED ON	LTR	DESCRIPTION	DATE	APPROVED
	157250		E	DASH NUMBERS REMOVED	10/8/2004	<i>Ray S</i>
	120314					



NOTE: AMPLIFIER MAY BE USED AS IS, BY REMOVING EXISTING 0-80 HARDWARE AND SUBSTITUTING SUPPLIED LONGER 0-80 SCREWS FOR CUSTOMER MOUNTING

UNLESS OTHERWISE SPECIFIED DIMENSIONS ARE IN INCHES TOLERANCES ON DECIMAL .XX ±.01 DECIMAL .XXX ±.005 ANGLES X° ±30'	NAME	DATE	 100 Davids Drive, Hauppauge, New York 11788 <b>NSM SERIES AMPLIFIER OUTLINE</b>			
	DWN BY DS	10/27/1992				
	CHK BY <i>Ray S</i>	10/8/2004				
	PROJ ENGR <i>N. Shaikh</i>	10/19/2004				
SECT HEAD			SIZE	CODE IDENT. NO.		REV
Q.C.			A	33592	120175	E
CUST			SCALE	PROJECT	SHEET	OF 1