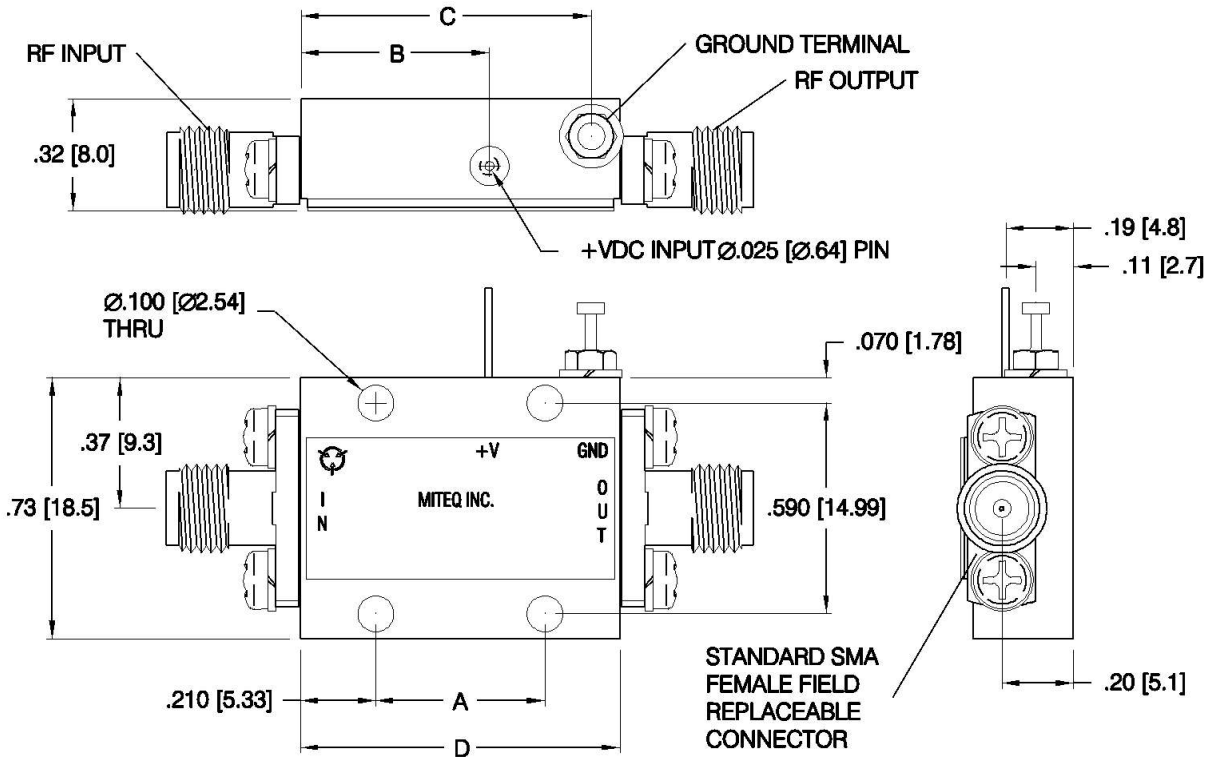


DASH NO.	APPLICATION		REVISIONS			
	NEXT ASSY	USED ON	LTR	DESCRIPTION	DATE	APPROVED
			N	Incorporate ECN 28846	09/09/13	R.Scherer



HOUSING	DASH NO.	DIM A	DIM B	DIM C	DIM D
124250 124419 126504	123521-3	.292[7.42]	.34[8.6]	.63[16.0]	.71[18.0]
124251 124420 126505	123521-4	.473[12.01]	.52[13.2]	.81[20.6]	.89[22.6]
124252	123521-5	.654[16.61]	.70[17.8]	.99[25.1]	1.07[27.2]
124253	123521-6	.831[21.11]	.88[22.3]	1.17[29.7]	1.25[31.7]

NOTES
 1. DIMENSION ARE IN INCHES [METRIC].
 2. ALTERNATE CONNECTOR SERIES AND GENDER OPTIONS AVAILABLE.

UNLESS OTHERWISE SPECIFIED DIMENSIONS ARE IN INCHES TOLERANCES ON	NAME	DATE	 100 Davids Drive, Hauppauge, New York 11788		
	DWN <i>K.J. Bovaird</i>	04/18/94			
DECIMAL .X ±0.1 [2.5] DECIMAL .XX ±0.01 [0.25] DECIMAL .XXX ±0.005 [0.13] ANGLES X° ±30°	DFT	DATE	AMF HERMETIC AMPLIFIER SERIES 0.1-26 GHz OUTLINE		
	DGN <i>R.Scherer</i>	09/09/13			
 ESD SENSITIVE	PROJ ENGR <i>B. Worster</i>	09/12/13	SIZE	CODE IDENT. NO.	REV
	MFG ENGR		A	33592	N
	Q.C.		123521		
CUST			SCALE	PROJECT	SHEET OF 1