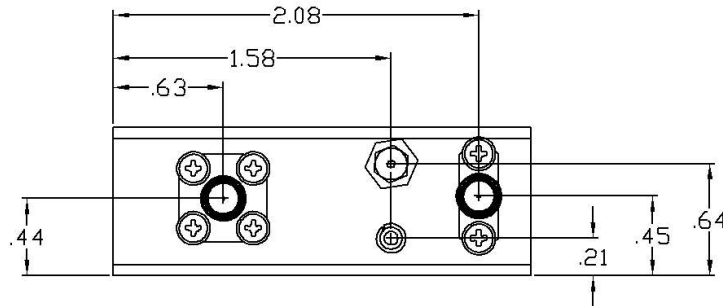
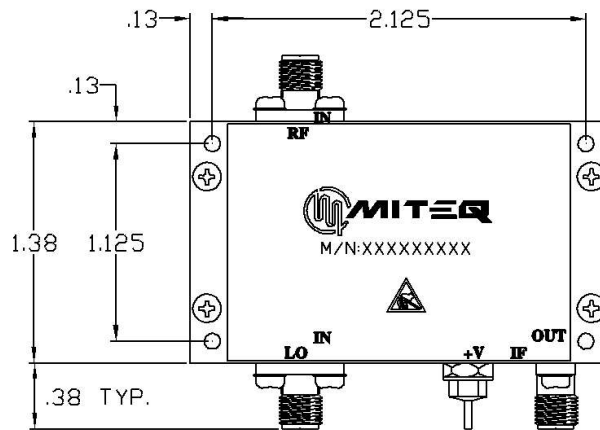
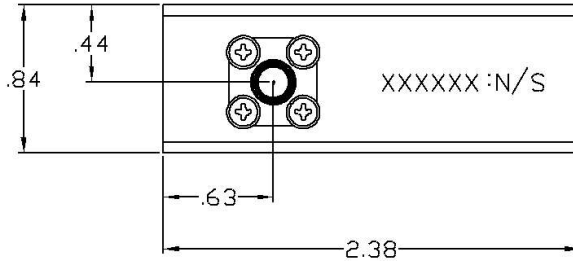


DASH NO.	APPLICATION		REVISIONS			
	NEXT ASSY	USED ON	LTR	DESCRIPTION	DATE	APPROVED
	190074	MARKING	C	RevPer ECN12669, ASQL-Format	06/25/09	L. Cardinal
			C	Re-Draw 1:1 scale		



FINISH: HOUSING-TRIVALENT CHROMATE CONVERSION, PER MIL-DTL-5541, TYPE II, CL3.  
COVERS-TRIVALENT CHROMATE CONVERSION PER MIL-DTL-5541, TYPE II, CL3 BLACK PAINT

ALL PAGES ARE OF ORIGINAL ISSUE (A) EXCEPT AS NOTED.	CONTR NO.	MQ0170671		 100 Davids Drive, Hauppauge, New York 11788	
	ORIGINALLY DRN BY	A.LASALA	4/20/94		
UNLESS OTHERWISE SPECIFIED DIMENSIONS ARE IN INCHES (MM) TOLERANCES ON DECIMAL ANGLES .XX±.01 XXX±.005 ±0°30'	PREP BY	NAME	DATE	OUTLINE DRAWING MIXER PRE-AMPLIFIER R3 PKG	
		L. Cardinal	06/25/09		
	CHKD BY	L. Cardinal	06/23/09	SIZE A CODE IDENT. NO. 33592 123567	
	PROJ ENGR	J. Jafonte	06/23/09		
APPROVAL (PROJ)			SCALE	REV. C	SHEET 1 OF 1
APPROVAL (GOVT)					