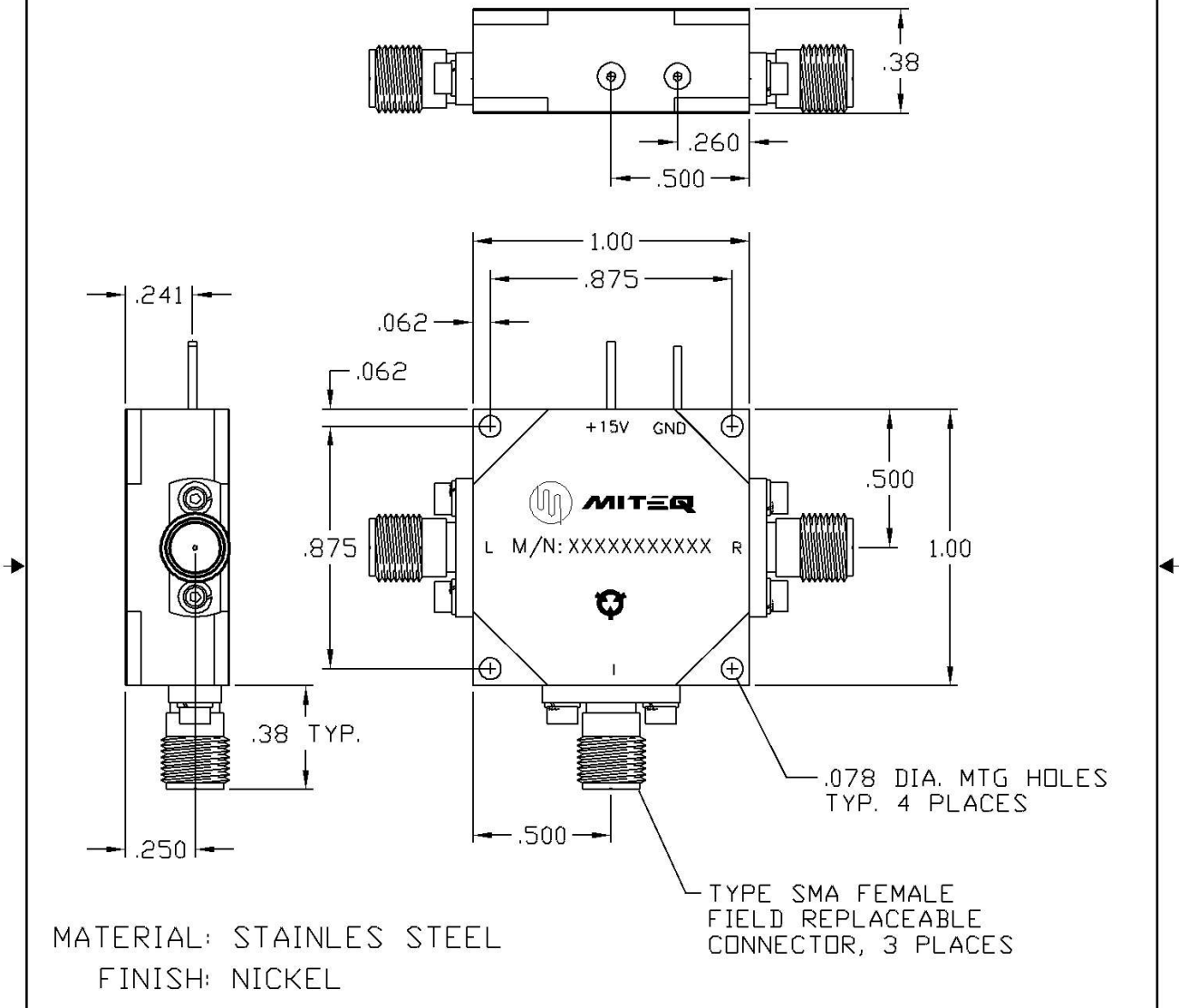


DASH NO.	APPLICATION		REVISIONS			
	NEXT ASSY	USED ON	LTR	DESCRIPTION	DATE	APPROVED
			C	ASQL,SCALE 1:1, CORRECT DIMS	1/19/2005	L. Cardinal



ALL PAGES ARE OF ORIGINAL ISSUE (A) EXCEPT AS NOTED.	CONTR NO. MQ0135623		 100 Davids Drive, Hauppauge, New York 11788	
	PREP BY NAME <i>DL</i>	DATE 4/29/1994		
UNLESS OTHERWISE SPECIFIED DIMENSIONS ARE IN INCHES (MM) TOLERANCES ON DECIMAL .XX±.01 XXX±.005 ANGLES ±0°30'	CHKD BY <i>L. Cardinal</i>	DATE 1/19/2005	OUTLINE DRAWING SINGLE BALANCED BIASABLE MIXER R5 PKG	
	PROJ ENGR <i>S. Spohrer</i>	DATE 1/19/2005		
	APPROVAL (PROJ)		SIZE A	CODE IDENT. NO. 33592
APPROVAL (GOVT)		SCALE	REV. C	SHEET 1 OF 1