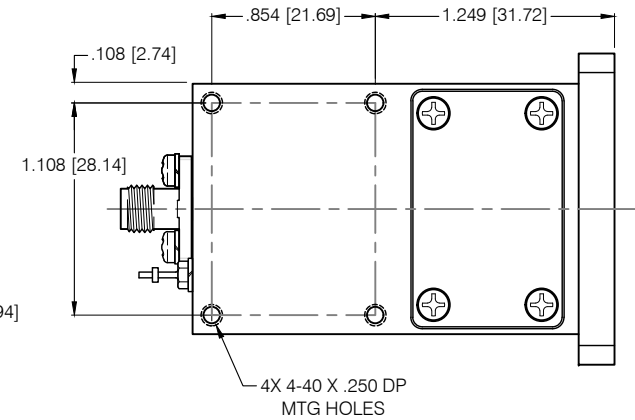
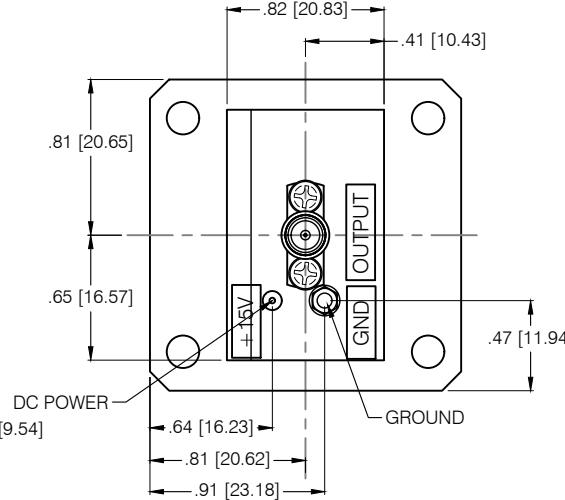
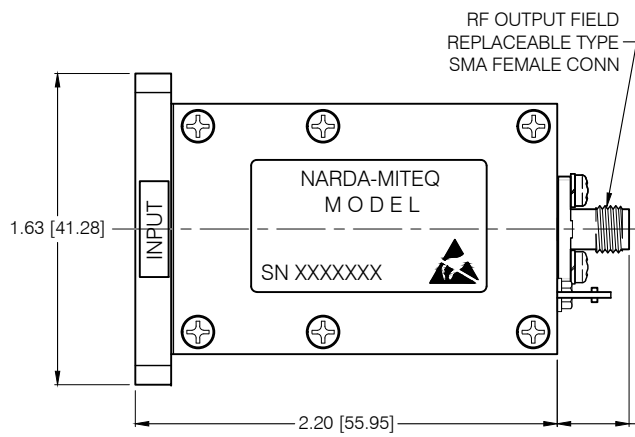
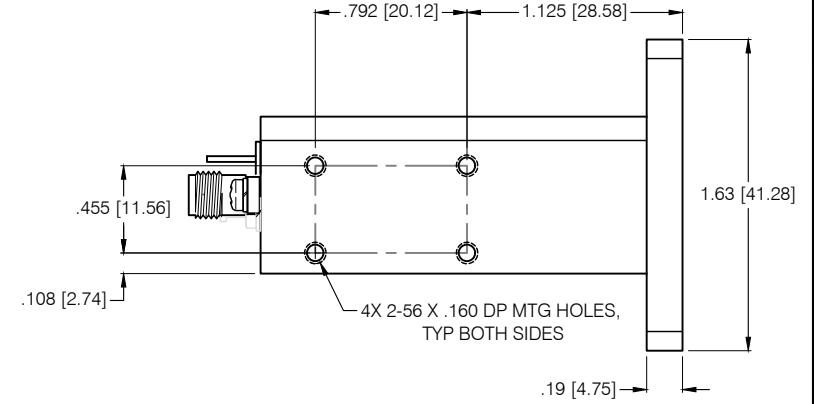
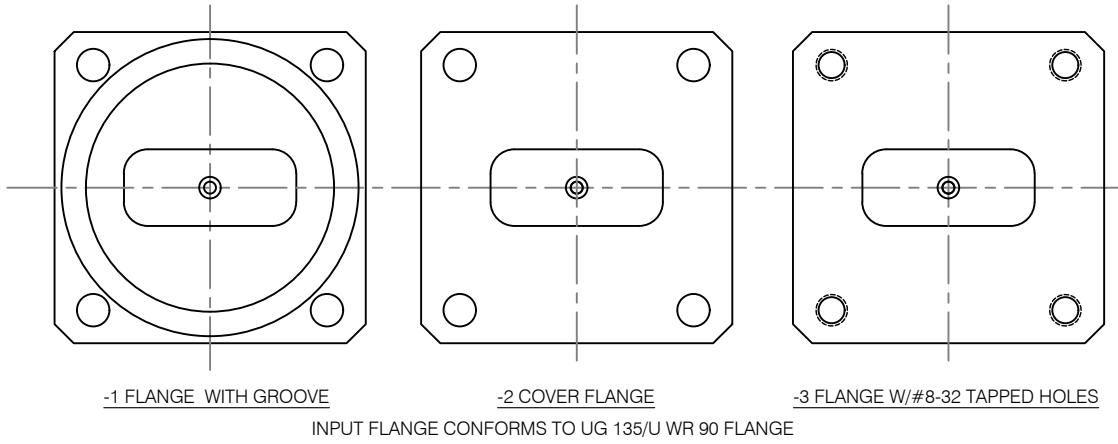


REVISIONS				
ZONE	LTR	DESCRIPTION	DATE	APPROVED
E		Incorporate ECN 38504	04/26/17	rs



PRINT NOT ON AUTOMATIC DISTRIBUTION VERIFY REVISION PRIOR TO USE

DASH NUMBER TABLE	
-1	AS SHOWN
-2	FLANGE W/O GROOVE
-3	FLANGE W/#8-32 TAPPED HOLES

Narda-MITEQ PROPRIETARY
 THIS DOCUMENT CONTAINS INFORMATION WHICH IS PROPRIETARY TO Narda-MITEQ. THE CONTENTS SHALL NOT BE DISCLOSED, COPIED, DISTRIBUTED, OR USED UNLESS AUTHORIZED BY AN OFFICER OF Narda-MITEQ.

THESE ITEM(S)/TECHNOLOGY CONTAIN INFORMATION SUBJECT TO U.S. GOVERNMENT EXPORT CONTROL IN ACCORDANCE WITH THE EXPORT ADMINISTRATION REGULATIONS (EAR), 15 CFR PARTS 730-744. EXPORT OF THIS DATA TO ANY FOREIGN COUNTRY OR DISCLOSURE OF THIS DATA TO ANY NON-US PERSON MAY BE A VIOLATION OF FEDERAL LAW.

UNLESS OTHERWISE SPECIFIED DIMENSIONS ARE IN INCHES TOLERANCES ON DECIMALS .XX ± .01 .XXX ± .005 ANGLES ± 0°30'	
PROJECTION	
MATERIAL	
FINISH	
HOUSING	126134
NEXT ASSY	USED ON
APPLICATION	

DRAWN	NAME KJB	DATE	08/11/95
DRAFT DESIGN	rs	12/06/17	
APPROVED BY			
PROJ ENGR	J. Sepulveda	05/01/17	
MFG ENGR			
O.A.			
AUTOCAD FILE FORMAT			

narda MITEQ
 435 MORELAND RD HAUPPAUGE, NY 11788

OUTLINE
X BAND WR90 INTEGRATED
AMPLIFIER

SIZE	CODE IDENT. NO.	REV.
C	99899	E
126133		
SCALE	REF	SHEET 1 OF 1

126133

AUTOCAD 15:2021