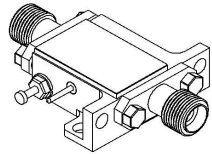
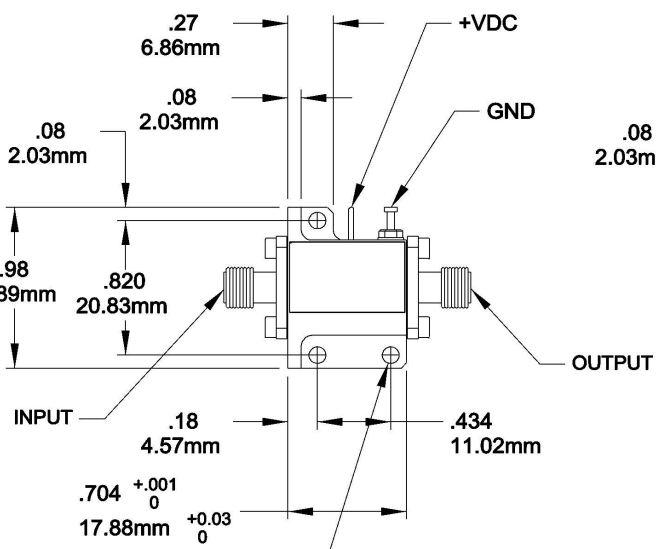
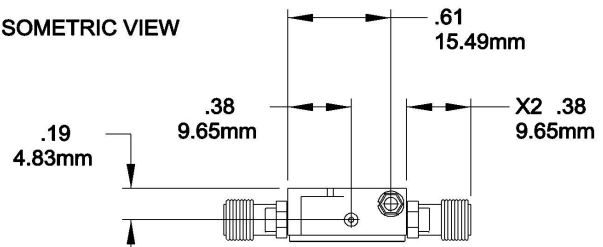


REVISIONS				
ZONE	LTR	DESCRIPTION	DATE	APPROVED
	F	Incorporated ECN 10250	10/24/08	EJManly

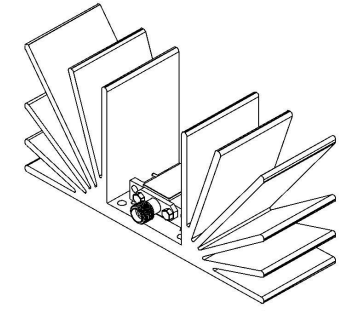
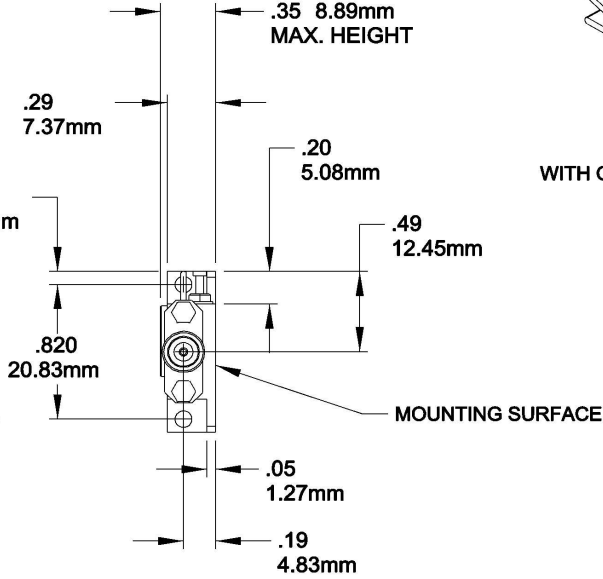


ISOMETRIC VIEW



Ø.10 0.25mm HOLE THRU TYP 5 PLACES

NOTE:
1. SECONDARY DIMENSIONS ARE IN MILLIMETERS.



WITH OPTIONAL HEATSINK P/N 152544

-5	-4	-3	-2	-1	NOMENCLATURE OR DESCRIPTION	SYM/NOTES	PART NO.	CODE IDENT.	ITEM NO.
					PARTS LIST				
QTY REQ'D					UNLESS OTHERWISE SPECIFIED DIMENSIONS ARE IN INCHES TOLERANCES ON				
					DECIMALS	ANGLES			
					.XX±.01	.XXX±.005	±0°30'		
MATERIAL					APPROVED BY		MITEQ		
					DRN BY	E. Manly	DATE	12/01/95	
					CHKD BY	EJManly	DATE	10/29/08	
CVR 127143					PROJ ENGR	TL Shakk	DATE	10/29/08	
HSG 127974					ENG SECT				
HSG 127102					G.A.				
NEXT ASSY USED ON					FINISH		SIZE	CODE IDENT. NO.	REV.
APPLICATION					HEAT TREAT		C	33592	F
							SCALE	REF	80D000
							SHEET 1		OF 1



OUTLINE,
JSM AMPLIFIER
(MULTI-STAGE)

SIZE	CODE IDENT. NO.	REV.
C	33592	F
127140		