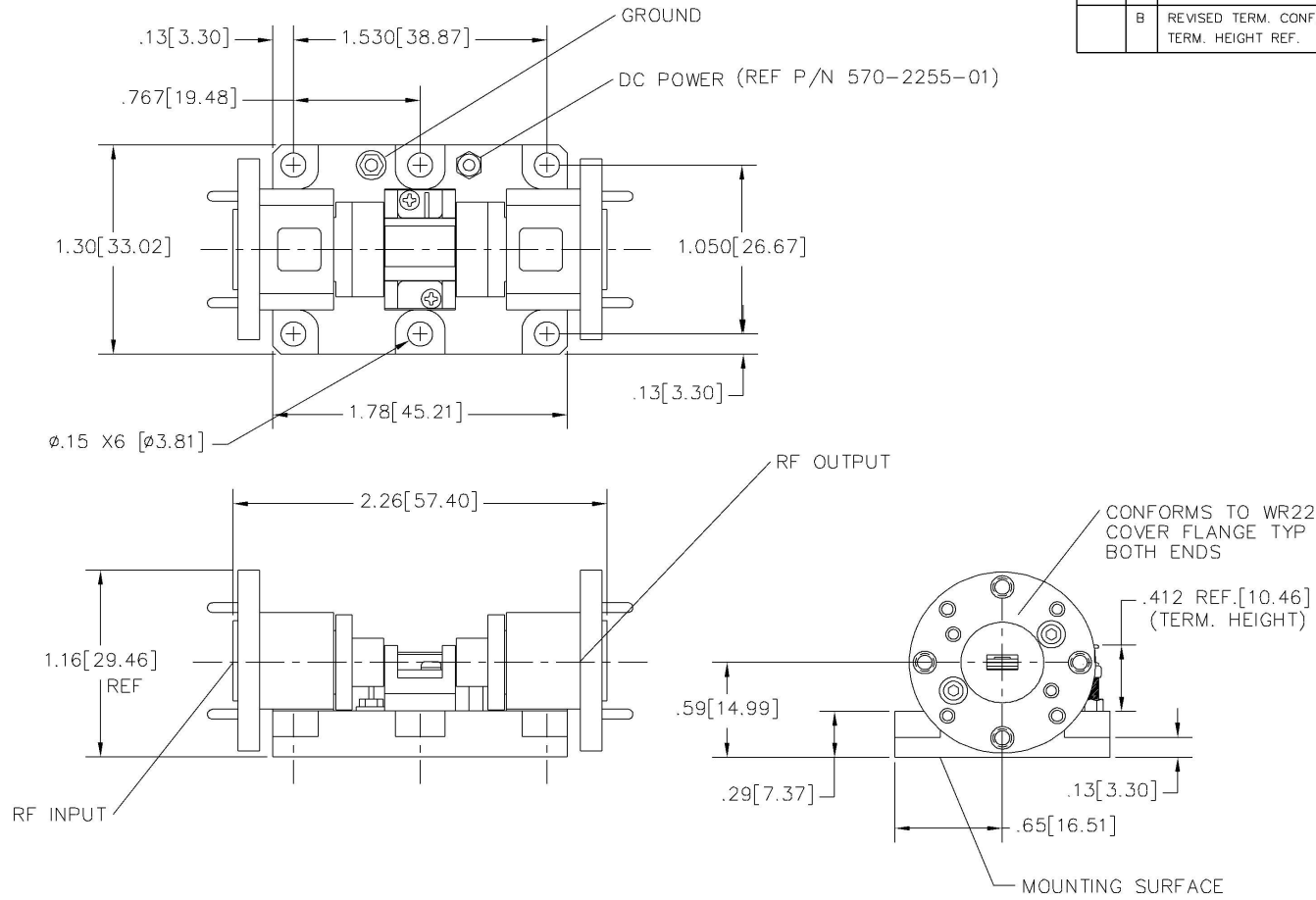


REVISIONS				
ZONE	LTR	DESCRIPTION	DATE	APPROVED
	A	INITIAL RELEASE	05/29/97	
	B	REVISED TERM. CONFIG., ADDED TERM. P/N REF., TERM. HEIGHT REF.	5/6/99	



NOTE:
1. DIMENSIONS IN BRACKETS [] ARE IN MILLIMETERS.

-5	-4	-3	-2	-1	NOMENCLATURE OR DESCRIPTION	SYM/NOTES	PART NO.	CODE IDENT.	ITEM NO.
					QTY REQ'D	PARTS LIST			
UNLESS OTHERWISE SPECIFIED DIMENSIONS ARE IN INCHES TOLERANCES ON					DRN BY: <i>Ed. Mandy</i> NAME: DATE: 05/29/97 CHK BY:		100 Davids Drive, Hauppauge, New York 11788		
DECIMALS: XX±.01 ANGLES: XXX±.005 ±0°30'					APPROVED BY:		OUTLINE DRAWING, JSAD1 AMPLIFIER W/WR22 WAVEGUIDE IN & OUT		
MATERIAL:					PROJ ENGR:		SIZE: C	CODE IDENT. NO.: 33592	REV. B
FINISH:					ENG SECT:		SCALE: 2:1	REF: 800000	SHEET 1 OF 1
NEXT ASSY USED ON:					G.A.:				
APPLICATION:					HEAT TREAT:				