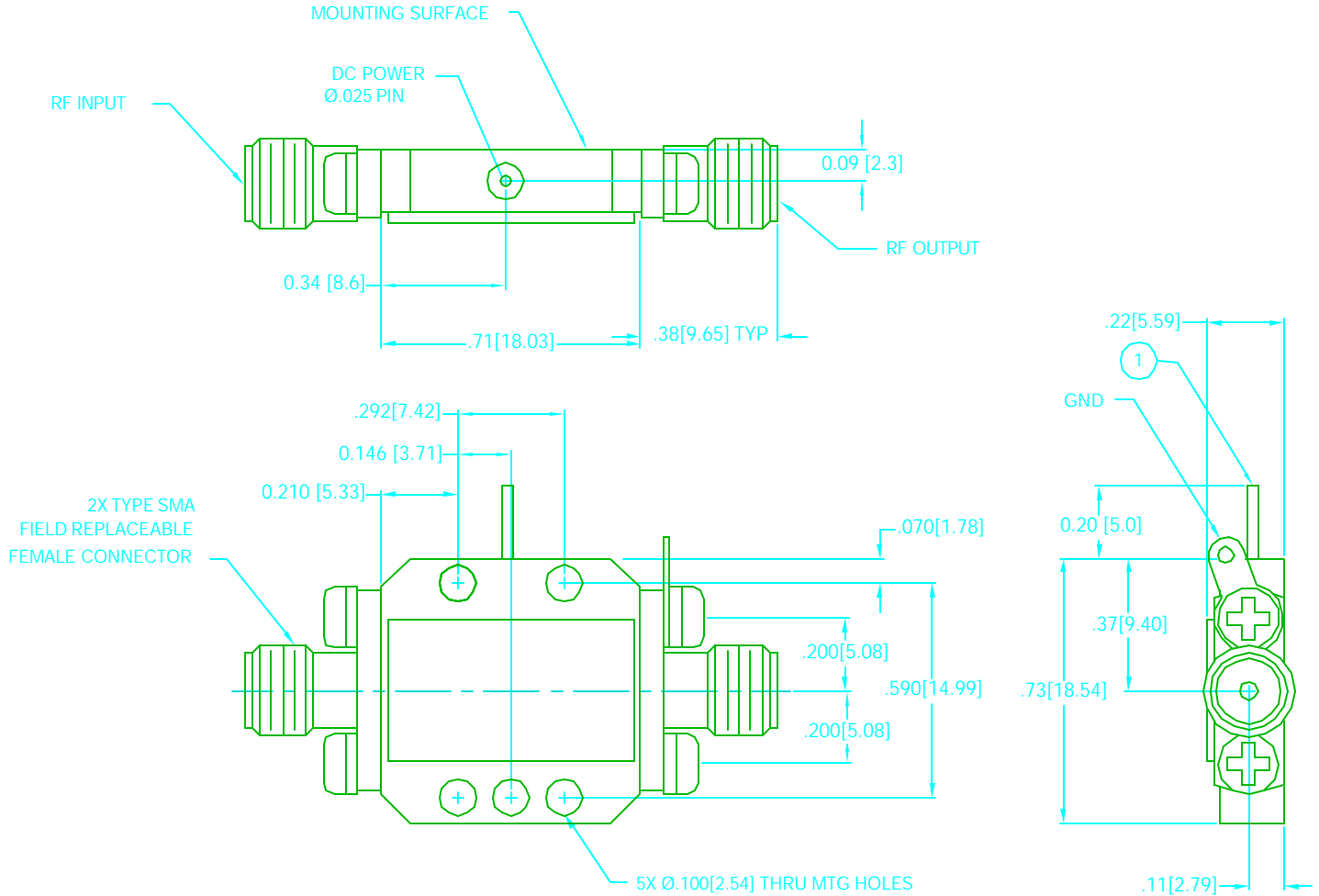



DASH NO.	APPLICATION		REVISIONS			
	NEXT ASSY	USED ON	LTR	DESCRIPTION	DATE	APPROVED
			D	UPDATED FORMAT	6/6/2005	KJ Bovaird



NOTE:

- 1 DC POWER PIN MAY BE TRIMMED TO MEET CUSTOMER REQUIREMENTS.
2. METRIC EQUIVALENTS ARE IN PARENTHESES.

UNLESS OTHERWISE SPECIFIED DIMENSIONS ARE IN INCHES TOLERANCES ON	NAME	DATE	 100 Davids Drive, Hauppauge, New York 11788				
	DWN BY	KJB				4/2/1997	
DECIMAL .XX ±.01 DECIMAL .XXX ±.005 ANGLES X° ±30'	CHK BY	KJ Bovaird	6/6/2005	OUTLINE DRAWING AMF SERIES - REDUCED 26.5 GHz HERMETIC AMP			
	PROJ ENGR	MEA	6/6/2005				
KOVAR HOUSING 130187 GOLD	SECT HEAD			SIZE	CODE IDENT. NO.	130186	REV
	Q.C.			A	33592		D
	CUST			SCALE	PROJECT	450191	SHEET