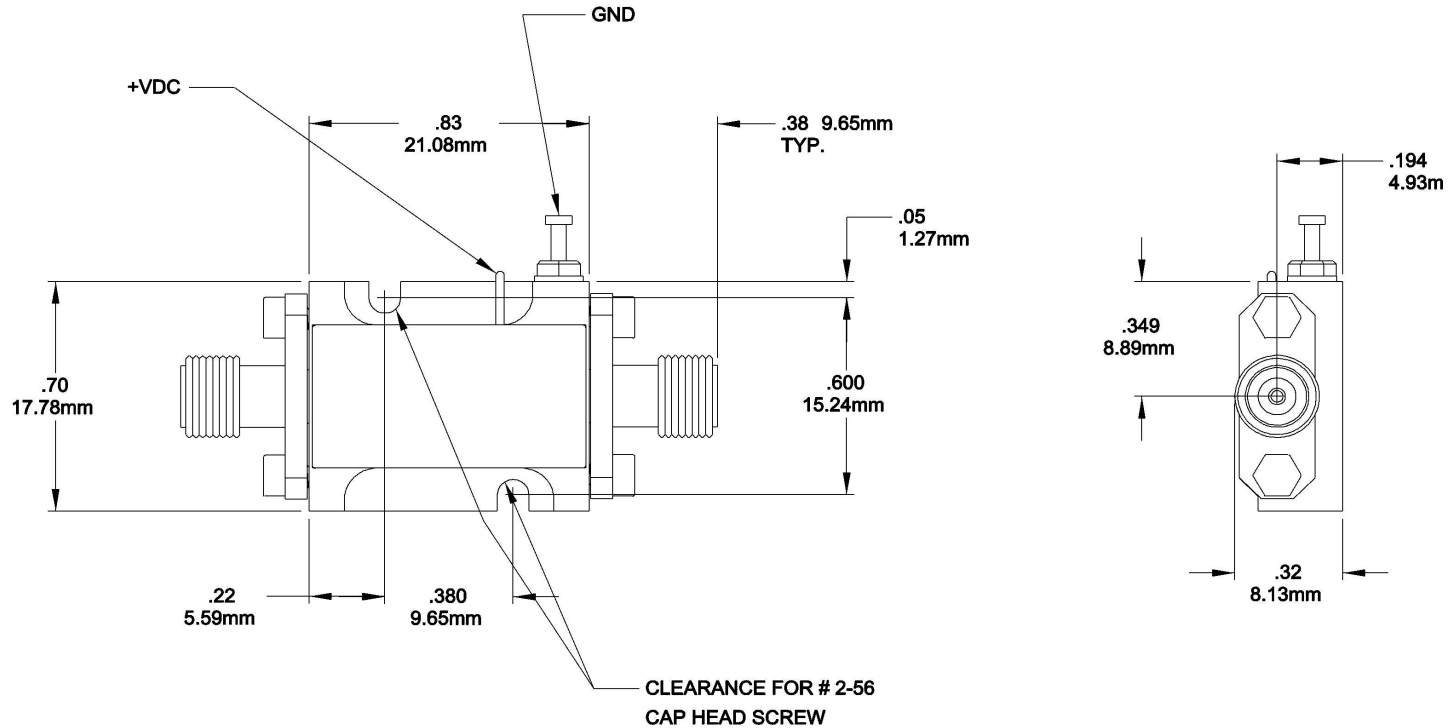


REVISIONS				
ZONE	LTR	DESCRIPTION	DATE	APPROVED
C		DIM CHG .04-.05, .30-.32.185-.194	6/12/2007	EgMarty



NOTE:

1. DIMENSIONS ARE IN INCHES
TOLERANCES ARE AS FOLLOWS:
.XX = ±.01 [.25]
.XXX = ±.005 [.127]

2. SECONDARY DIMENSIONS ARE IN MILLIMETERS.

QTY REQ'D					NOMENCLATURE OR DESCRIPTION					SYM/NOTES		PART NO.		CODE IDENT.		ITEM NO.	
					UNLESS OTHERWISE SPECIFIED DIMENSIONS ARE IN INCHES TOLERANCES ON					MATERIAL		APPROVED BY		SIZE		CODE IDENT. NO.	
					DECIMALS .XX±.01	ANGLES ±0°30'	FINISH			DRN BY: E. Marty	DATE: 6/8/1995	MITEQ		130384		REV. C	
					HEAT TREAT			CHKD BY: EgMarty	DATE: 6/12/2007	100 Davids Drive, Hauppauge, New York 11788		OUTLINE, AMPLIFIER, JSS TYPE		SCALE		REF 80D000 SHEET 1 OF 1	
					ASSY 145267	NEXT ASSY USED ON	APPLICATION			PROJ ENGR: T. Shakk	DATE: 6/12/2007	C 33592		80D000		SHEET 1 OF 1	