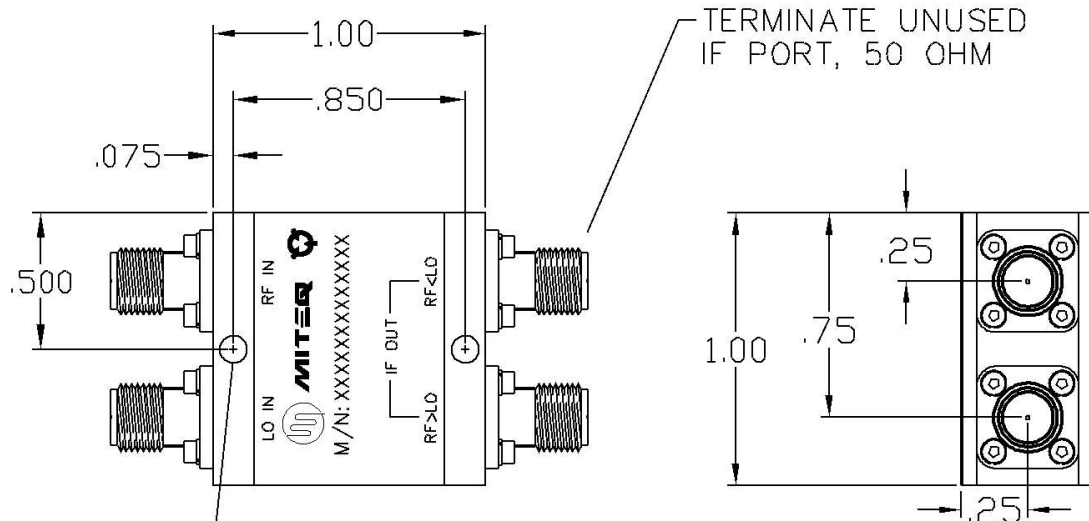
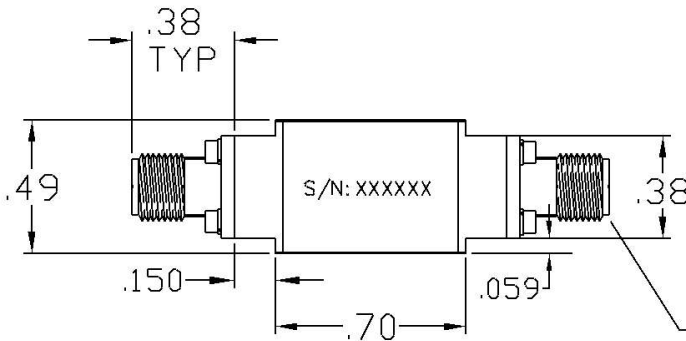


| DASH NO. | APPLICATION |         |     | REVISIONS                      |            |             |
|----------|-------------|---------|-----|--------------------------------|------------|-------------|
|          | NEXT ASSY   | USED ON | LTR | DESCRIPTION                    | DATE       | APPROVED    |
|          | 119852      | HOUSING | B   | ASQL-Form. REVISE IMAGE & DIMS | 12/27/2004 | L. Cardinal |



Ø.10 MOUNTING HOLES (TYP. 2 PLACES)

TYP. BOTH ENDS



TYPE SMA FEMALE FIELD REPLACEABLE CONNECTORS, 4X

MATERIAL: KOVAR  
FINISH: NI PLATE

|  |                         |                    |  |                          |              |
|--|-------------------------|--------------------|--|--------------------------|--------------|
| ALL PAGES ARE OF ORIGINAL ISSUE (A) EXCEPT AS NOTED.   | CONTR NO.<br>MQ0136770  |                    | <br>100 Davids Drive, Hauppauge, New York 11788        |                          |              |
|  | PREP BY<br>NAME: DL     | DATE<br>7/1/1997   |  |                          |              |
| UNLESS OTHERWISE SPECIFIED, DIMENSIONS ARE IN INCHES (MM). TOLERANCES ON DECIMAL .XX±.01    .XXX±.005    ANGLES ±0°30' | CHKD BY<br>L. Cardinal  | DATE<br>12/28/2004 | OUTLINE DRAWING<br>IRM, IR...13 A,B,C series<br>13 PKG |                          |              |
|  | PROJ ENGR<br>S. Spohrer | DATE<br>12/29/2004 |  |                          |              |
|  | APPROVAL (PROJ)         |                    | SIZE<br>A  | CODE IDENT. NO.<br>33592 | 131102       |
|  | APPROVAL (GOVT)         |                    | SCALE  | REV. B                   | SHEET 1 OF 1 |