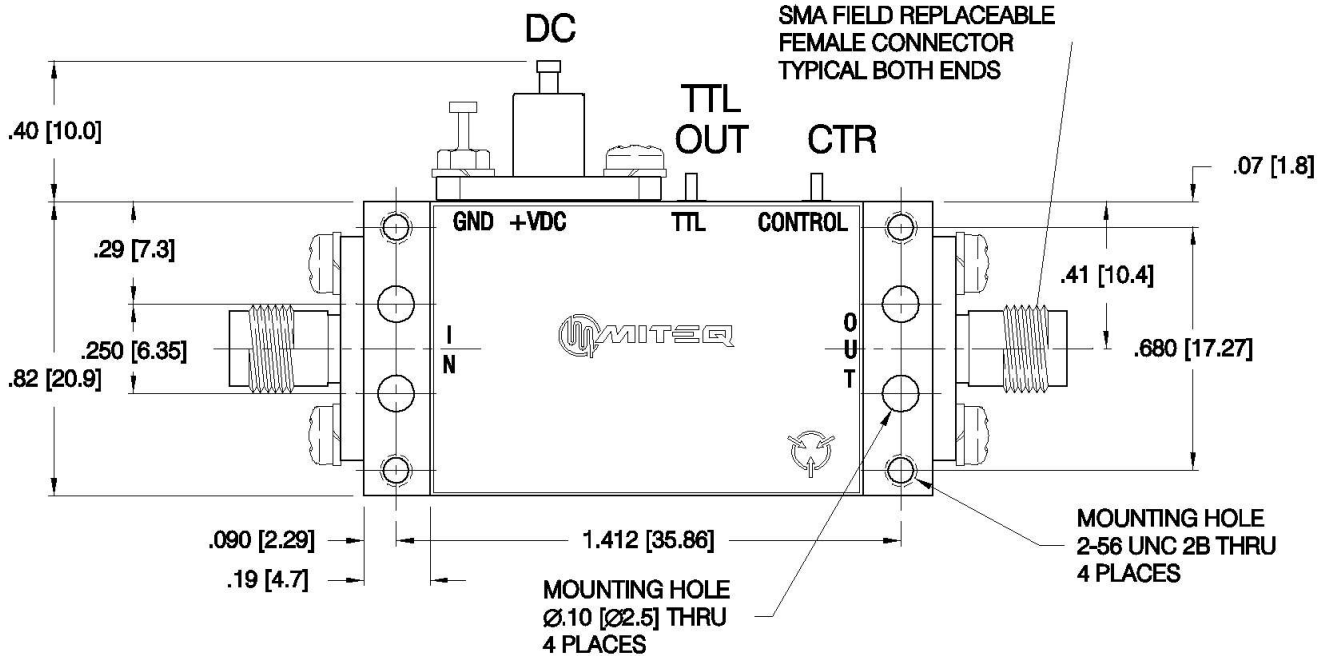
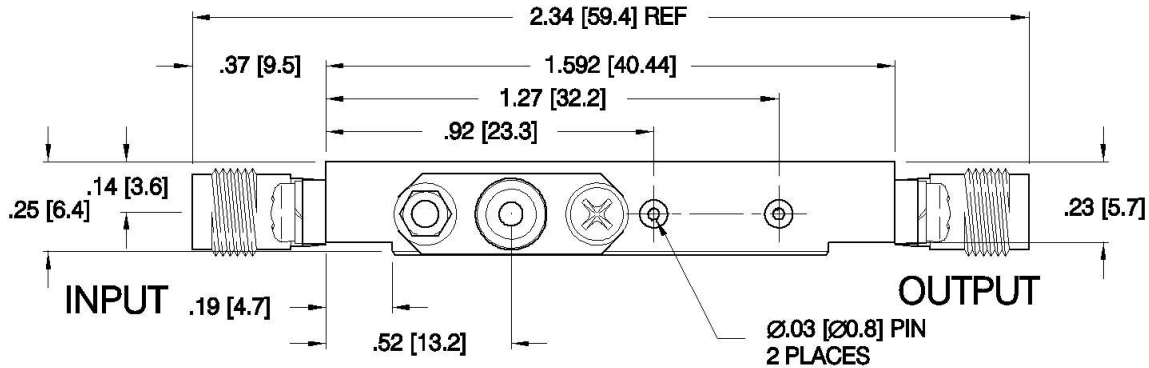


DASH NO.	APPLICATION		REVISIONS			
	NEXT ASSY	USED ON	LTR	DESCRIPTION	DATE	APPROVED
	HSG	132154	D	GND TERMINAL MOVED	10/19/2004	<i>Ray S</i>



NOTE

1. DIMENSIONS IN BRACKETS ARE METRIC EQUIVALENTS

SCALE: 2/1

UNLESS OTHERWISE SPECIFIED DIMENSIONS ARE IN INCHES TOLERANCES ON	NAME	DATE	 100 Davids Drive, Hauppauge, New York 11788			
	DWN BY RH	1/15/1998				
DECIMAL .XX ±.01 DECIMAL .XXX ±.005 ANGLES X° ±30'	CHK BY <i>Ray S</i>	10/19/2004	ABIT AMPLIFIER OUTLINE			
	PROJ ENGR <i>N. Shaikh</i>	10/19/2004				
SECT HEAD			SIZE	CODE IDENT. NO.	132155	REV
Q.C.			A	33592		D
CUST			SCALE	PROJECT	SHEET	OF 1