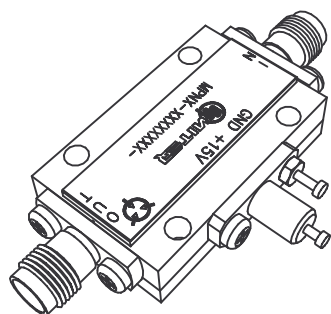
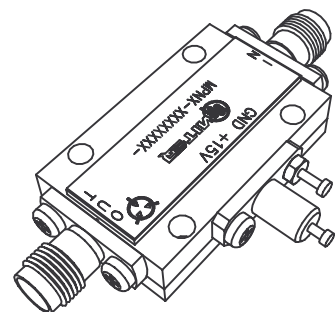
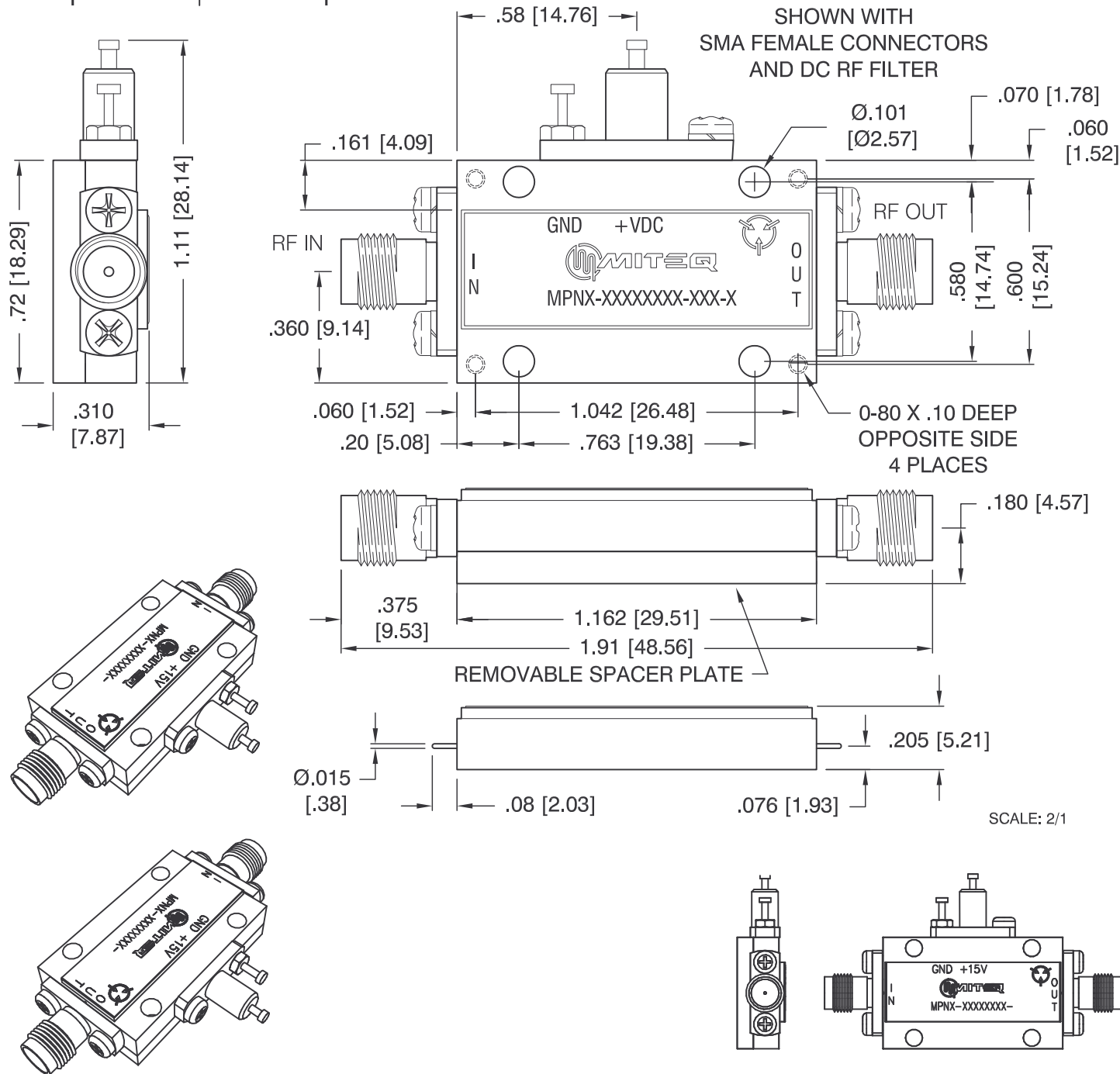



DASH NO.	APPLICATION		REVISIONS			
	NEXT ASSY	USED ON	LTR	DESCRIPTION	DATE	APPROVED
	134925	134924	C	NOTE CORRECTION	4/13/2004	<i>Ray S</i>
		137230				



UNLESS OTHERWISE SPECIFIED DIMENSIONS ARE IN INCHES TOLERANCES ON	NAME	DATE	 100 Davids Drive, Hauppauge, New York 11788				
	DWN BY	RS					4/7/2000
	DECIMAL .XX ±.01 DECIMAL .XXX ±.005 ANGLES X° ±30'	CHK BY	<i>Ray S</i>	6/16/2004	MPN LOW PROFILE AMPLIFIER OUTLINE		
	PROJ ENGR	<i>Buonaiuto</i>	6/24/2004				
HOUSING KOVAR GOLD PLATED ALUMINUM BASE PLATE	SECT HEAD		SIZE	CODE IDENT. NO.	134923	REV	C
	Q.C.		A	33592			
	CUST		SCALE	PROJECT	61D	SHEET	1 OF 1