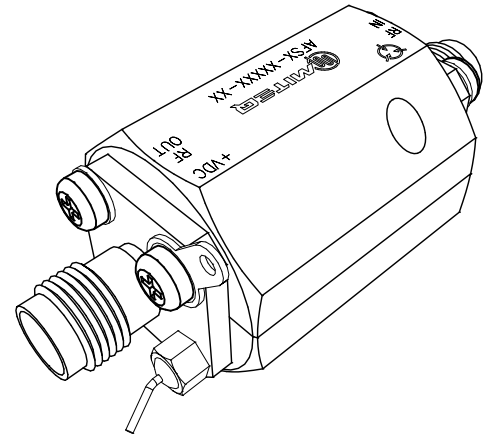
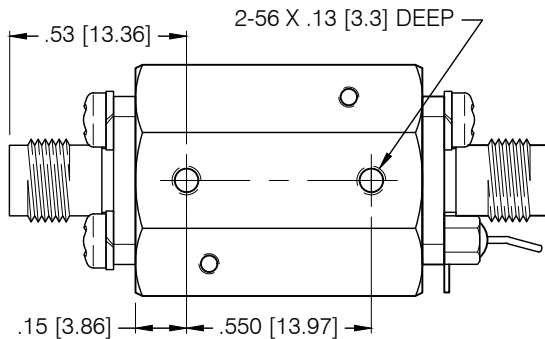
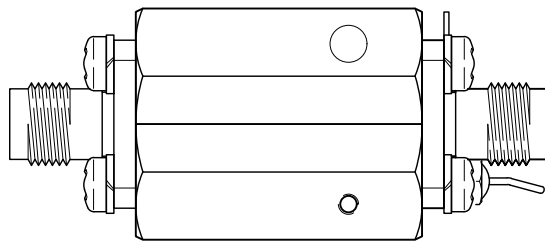
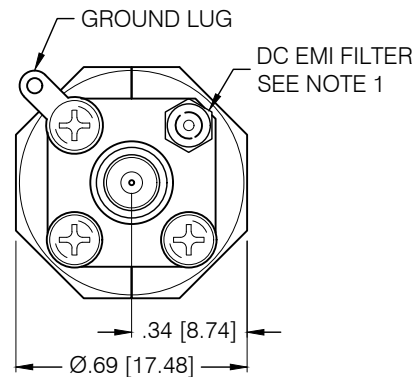
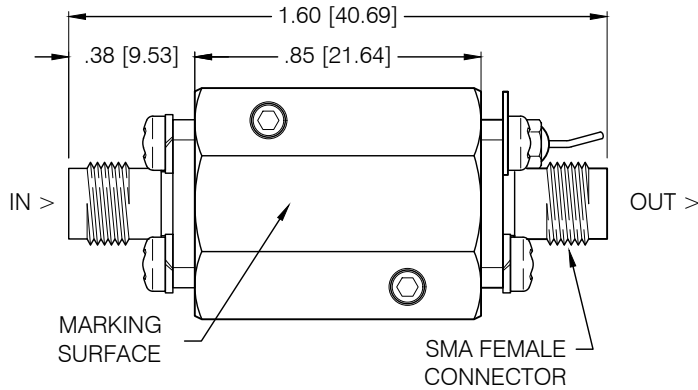


DASH NO.	APPLICATION		REVISIONS			
	NEXT ASSY	USED ON	LTR	DESCRIPTION	DATE	APPROVED
			F	Incorporated ECN 50053	12/12/19	rs
PRINT NOT ON AUTOMATIC DISTRIBUTION VERIFY REVISION PRIOR TO USE						



**NOTES**

1. FILTER NOT SUPPLIED WITH BTO VERSION
2. AMPLIFIER HERMETICALLY SEALED IN KOVAR HOUSING OUTER SHELL ALUMINUM

THESE ITEM(S)/TECHNOLOGY CONTAIN INFORMATION SUBJECT TO U.S. GOVERNMENT EXPORT CONTROL IN ACCORDANCE WITH THE EXPORT ADMINISTRATION REGULATIONS (EAR), 15 CFR PARTS 730-744. EXPORT OF THIS DATA TO ANY FOREIGN COUNTRY OR DISCLOSURE OF THIS DATA TO ANY NON-US PERSON MAY BE A VIOLATION OF FEDERAL LAW.

**Narda-MITEQ PROPRIETARY**

THIS DOCUMENT CONTAINS INFORMATION WHICH IS PROPRIETARY TO Narda-MITEQ. THE CONTENTS SHALL NOT BE DISCLOSED, COPIED, DISTRIBUTED, OR USED UNLESS AUTHORIZED BY AN OFFICER OF Narda-MITEQ.

UNLESS OTHERWISE SPECIFIED DIMENSIONS ARE IN INCHES TOLERANCES ON	NAME	DATE
DECIMAL .X ±0.1 [2.5] DECIMAL .XX ±0.01 [0.25] DECIMAL .XXX ±0.005 [0.13] ANGLES X° ±30'	DWN <i>JBuonaiuto</i>	03/09/01
	DFT DES <i>rs</i>	12/16/19
	PROJ ENGR <i>Joseph Buonaiuto</i>	12/30/19
PROJECTION	MFG ENGR	
	Q.C. <i>John Mendoza</i>	12/16/19
	CUST	



435 MORELAND RD HAUPPAUGE, NY 11788

**OUTLINE  
AFSX 6 STAGE COAXIAL  
AMPLIFIER**

SIZE <b>A</b>	CODE IDENT. NO. <b>99899</b>	<b>141109</b>	REV <b>F</b>
SCALE	PROJECT	SHEET 1 OF 1	