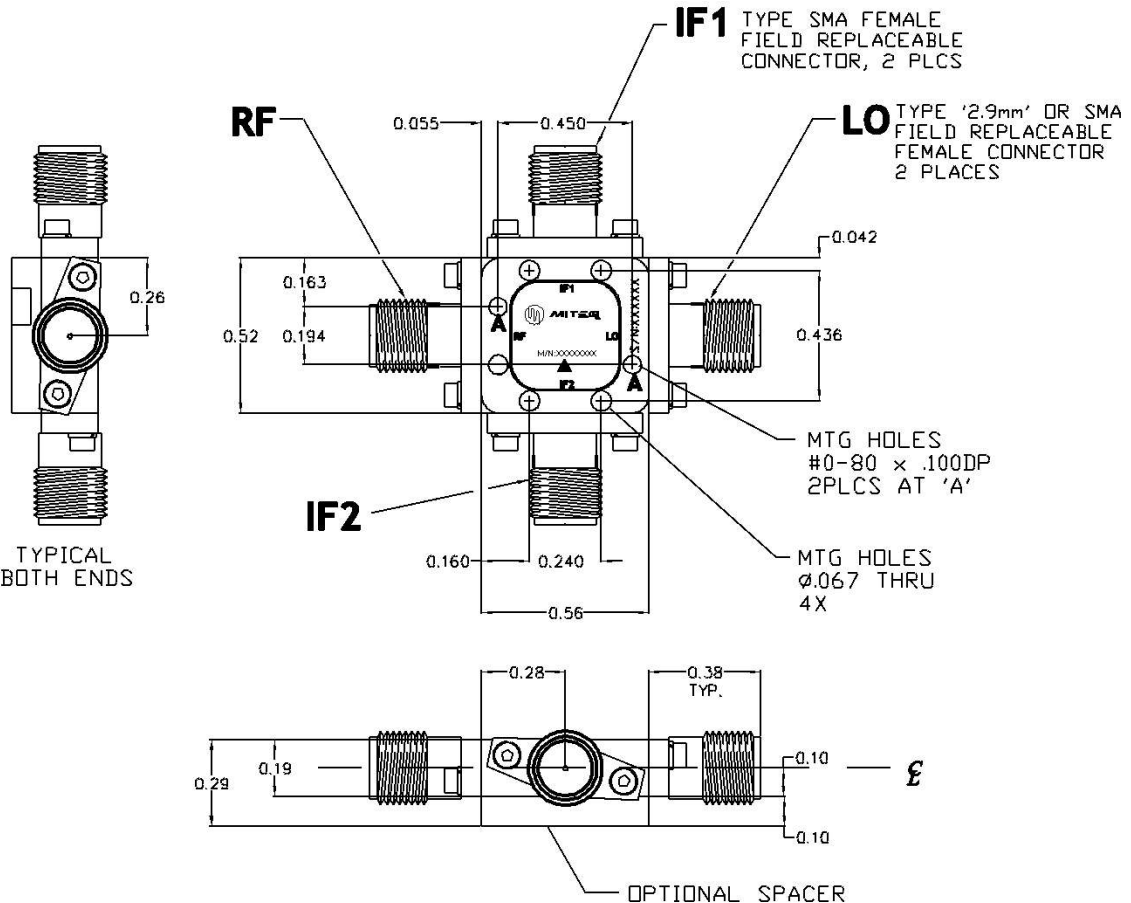


DASH NO.	APPLICATION		REVISIONS			
	NEXT ASSY	USED ON	LTR	DESCRIPTION	DATE	APPROVED
			F	Revper ECN14192	10/09/10	



NOTES:
1. FINISH-
HOUSING: GOLD PLATE
COVER: NICKEL PLATE
SPACER: TRIVALENT CHROMATE CONVERSION, PER MIL-DTL-5541, TYPE II, CL3.

ALL PAGES ARE OF ORIGINAL ISSUE (A) EXCEPT AS NOTED.	CONTR NO.	MQ0172052			100 Davids Drive, Hauppauge, New York 11788	
	ORIGINALLY DRAWN BY	<i>B. Roehrich</i>	1/29/02		OUTLINE DRAWING Quadrature IF Mixer W1 PKG	
	PREP BY	NAME <i>L. Cardinal</i>	DATE 11/10/09	SIZE		
	UNLESS OTHERWISE SPECIFIED DIMENSIONS ARE IN INCHES (1"=25.4MM) TOLERANCES ON DECIMAL ANGLES .XX±.01 XXX±.005 ±0°30'	CHKD BY		APPROVAL (PROJ)	SCALE	REV. F