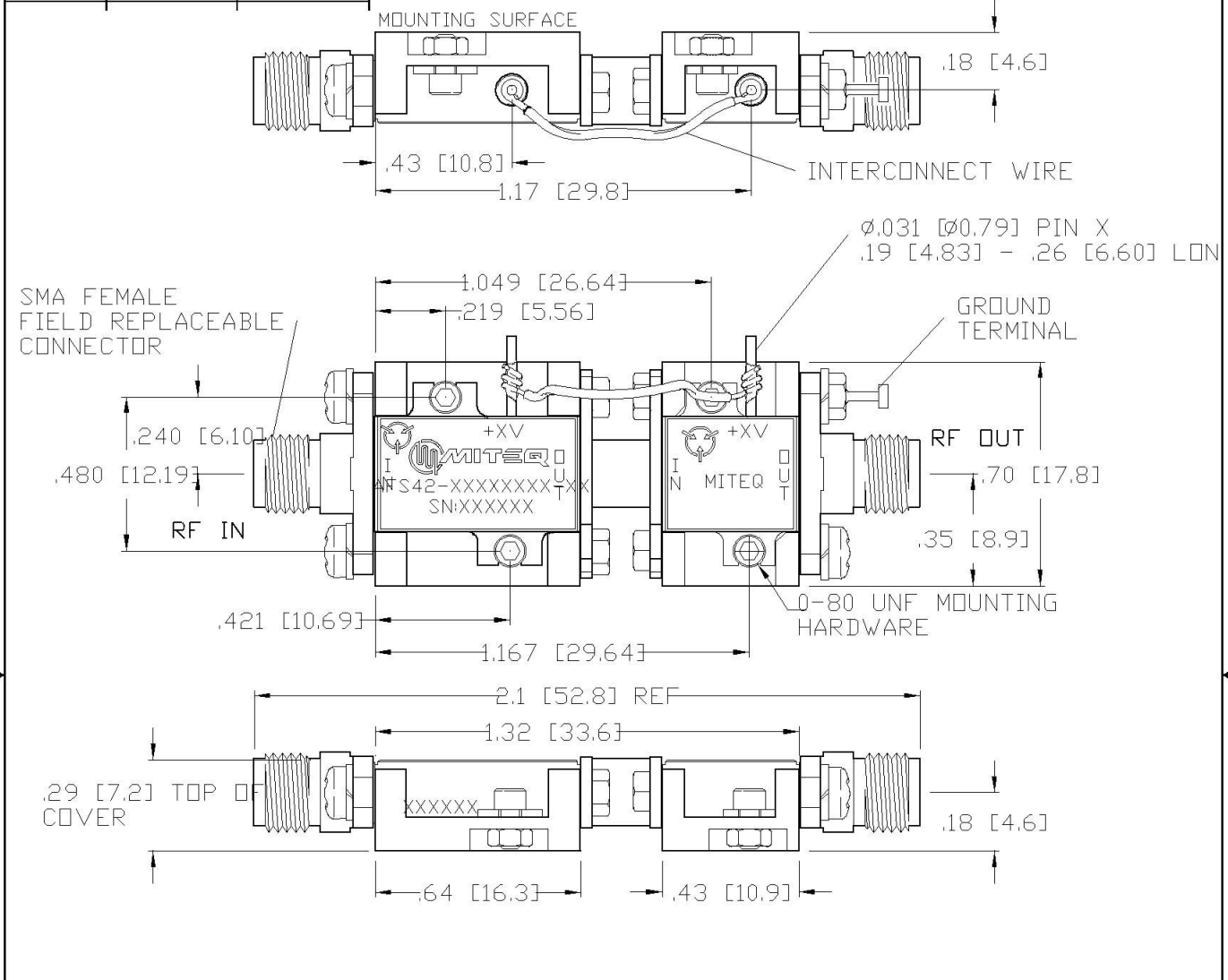


DASH NO.	APPLICATION		REVISIONS			
	NEXT ASSY	USED ON	LTR	DESCRIPTION	DATE	APPROVED
			C	Incorporate ECN 31525	08/06/14	RScherer



- NOTES:
1. DIMENSIONS IN BRACKET ARE METRIC EQUIVALENTS.
  2. MARKING MAY VARY AS PER CUSTOMER SPECIFICATIONS.
  3. EXISTING 0-80 MOUNTING HARDWARE CAN BE REPLACED

UNLESS OTHERWISE SPECIFIED DIMENSIONS ARE IN INCHES TOLERANCES ON	DRG	RScherer	08/04/03	 100 Davids Drive, Hauppauge, New York 11788
	DFT	RScherer	08/06/14	
DECIMAL .X ±0.1 [2.5]	PRJ	Buonaiuto	08/06/14	CASCADING AMPLIFIER AFS42 OUTLINE
DECIMAL .XX ±0.01 [0.25]	ENGR			
DECIMAL .XXX ±0.005 [0.13]	MFG			SIZE A    CODE IDENT. NO. 151239    REV C
ANGLES X° ±30'	ENGR			
PROJECTION	Q.C.			SCALE    PROJECT    SHEET 1 1 OF
ESD SENSITIVE COMPONENT	CUST			