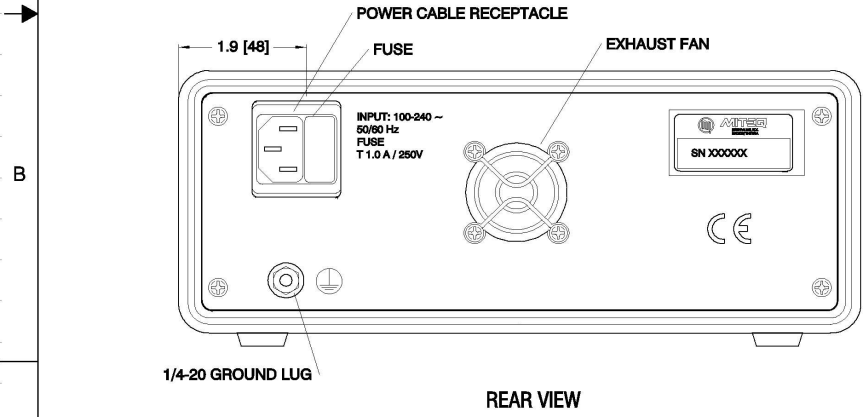
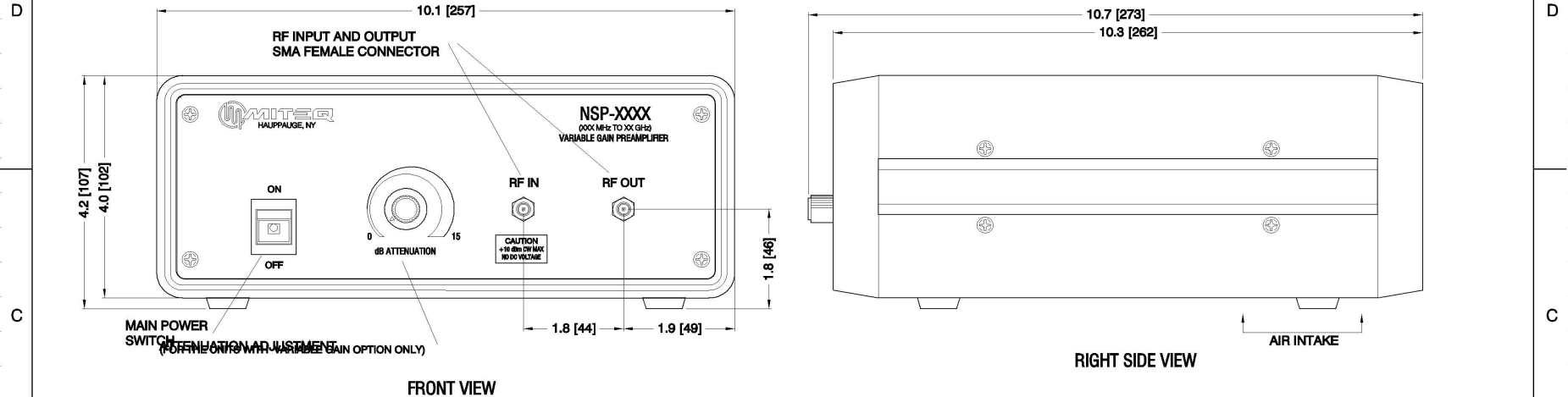


REVISIONS				
ZONE	LTR	DESCRIPTION	DATE	APPROVED
C		Incorporate ECN 25774	03/08/13	<i>R. Behner</i>



SPECIFICATIONS:

POWER
INPUT: 100-240 ~ 50/60 Hz
FUSE : T 1.0 A / 250V

WEIGHT
APPROX 7 Lbs [3.2 Kg]

DIMENSIONS IN BRACKETS ARE IN METRIC MM

		UNLESS OTHERWISE SPECIFIED DIMENSIONS ARE IN INCHES TOLERANCES ON		DRAWN <i>R. Behner</i> DATE 09/09/03		 100 Devils Drive, Hauppauge, New York 11788 NEW NSP-DESK TOP WITH VARIABLE GAIN OPTION	
		DECIMALS XX±.01	ANGLES XXX±.005	DRAFT DESIGN <i>R. Behner</i>	DATE 03/08/13		
		MATERIAL		APPROVED BY			
		FINISH		PRJ ENGR <i>A. Fushik</i>	DATE 03/12/13		
NEXT ASSY	USED ON			MFG ENGR		SIZE C	CODE IDENT. NO. 33592
APPLICATION				QA			152602
						SCALE	REF
						SHEET 1 OF 1	