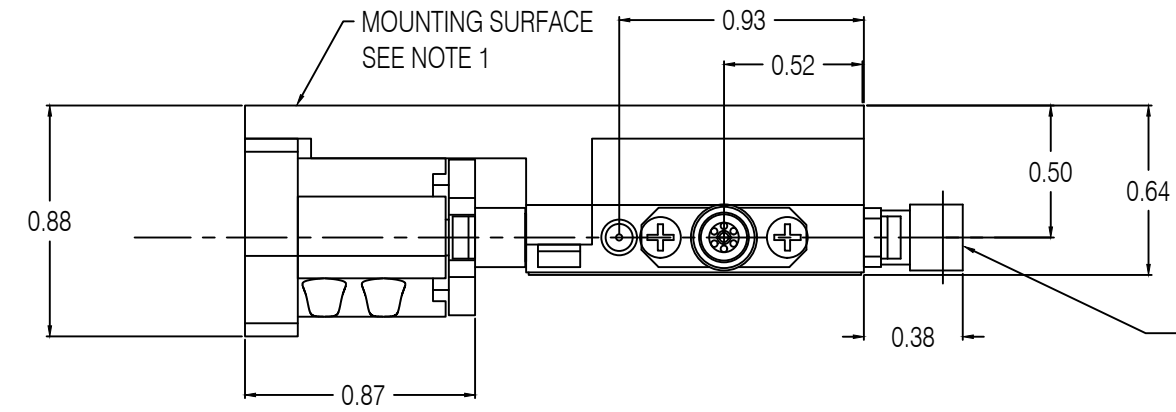


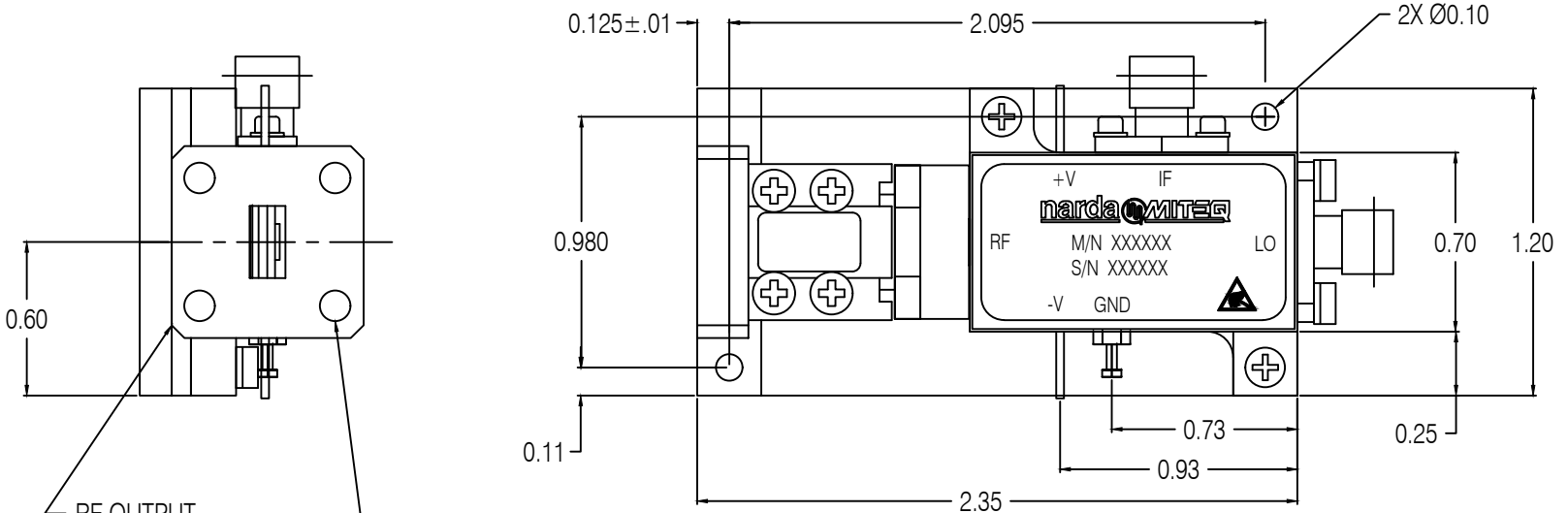
REVISIONS				
ZONE	LTR	DESCRIPTION	DATE	APPROVED
	C	Incorporated ECN 40943	05/15/18	Jeffrey Lewis



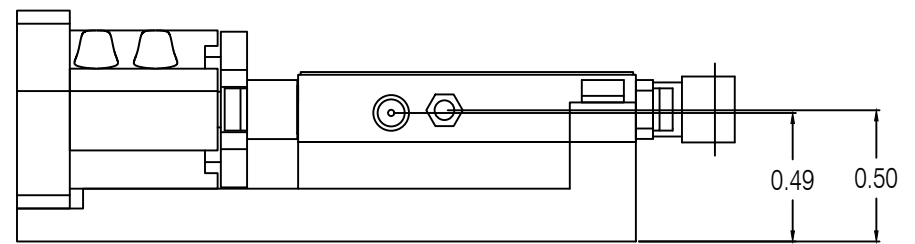
K OR SMA FIELD REPLACEABLE CONNECTOR (TYP. 2 PLACES)

NOTES:

- UNITS MOUNTING SURFACE SHALL BE ATTACHED TO A HEAT SINK CAPABLE OF DISSIPATING THE DEVICES POWER CONSUMPTION WITHOUT EXCEEDING THE OPERATING TEMPERATURE LIMITS.



DASH	HOLE DESCRIPTION
-1	0.116 DIA. THRU
-2	#4-40UNC-2B TAPPED THRU



PRINT NOT ON AUTOMATIC DISTRIBUTION VERIFY REVISION PRIOR TO USE

narda-MITEQ PROPRIETARY
THIS DOCUMENT CONTAINS INFORMATION WHICH IS PROPRIETARY TO NARDA-MITEQ. THE CONTENTS SHALL NOT BE DISCLOSED, COPIED, DISTRIBUTED, OR USED UNLESS AUTHORIZED BY AN OFFICER OF NARDA-MITEQ. UNLESS

THESE ITEM(S)/TECHNOLOGY CONTAIN INFORMATION SUBJECT TO U.S. GOVERNMENT EXPORT CONTROL IN ACCORDANCE WITH THE EXPORT ADMINISTRATION REGULATIONS (EAR), 15 CFR PARTS 730-744. EXPORT OF THIS DATA TO ANY FOREIGN COUNTRY OR DISCLOSURE OF THIS DATA TO ANY NON-US PERSON MAY BE A VIOLATION OF FEDERAL LAW.

NEXT ASSY	USED ON
APPLICATION	

UNLESS OTHERWISE SPECIFIED DIMENSIONS ARE IN INCHES TOLERANCES ON
DECIMALS .XX±.01 .XXX±.005 ANGLES ±0°30'



MATERIAL	
FINISH	

75A002		
DRN BY	NAME	DATE
	D LoCICERO	04/11/06
DRAFT DESIGN	Jeffrey Lewis	07/10/18
APPROVED BY		
PROJ ENGR	Bala S.	07/10/18
MFG ENG		
Q.A.		
AUTOCAD FILE FORMAT		

narda MITEQ
435 MORELAND RD HAUPPAUGE, NY 11788

OUTLINE 3 PORT MULTIPLIER-MIXER w/ WR-28 RF PORT, MMX PKG

SIZE	CODE IDENT. NO.	REV.
B	99899	C
167795		
SCALE	REF	SHEET 1 OF 1

167795

Form B 10/2013

AUTOCAD 12:2021