

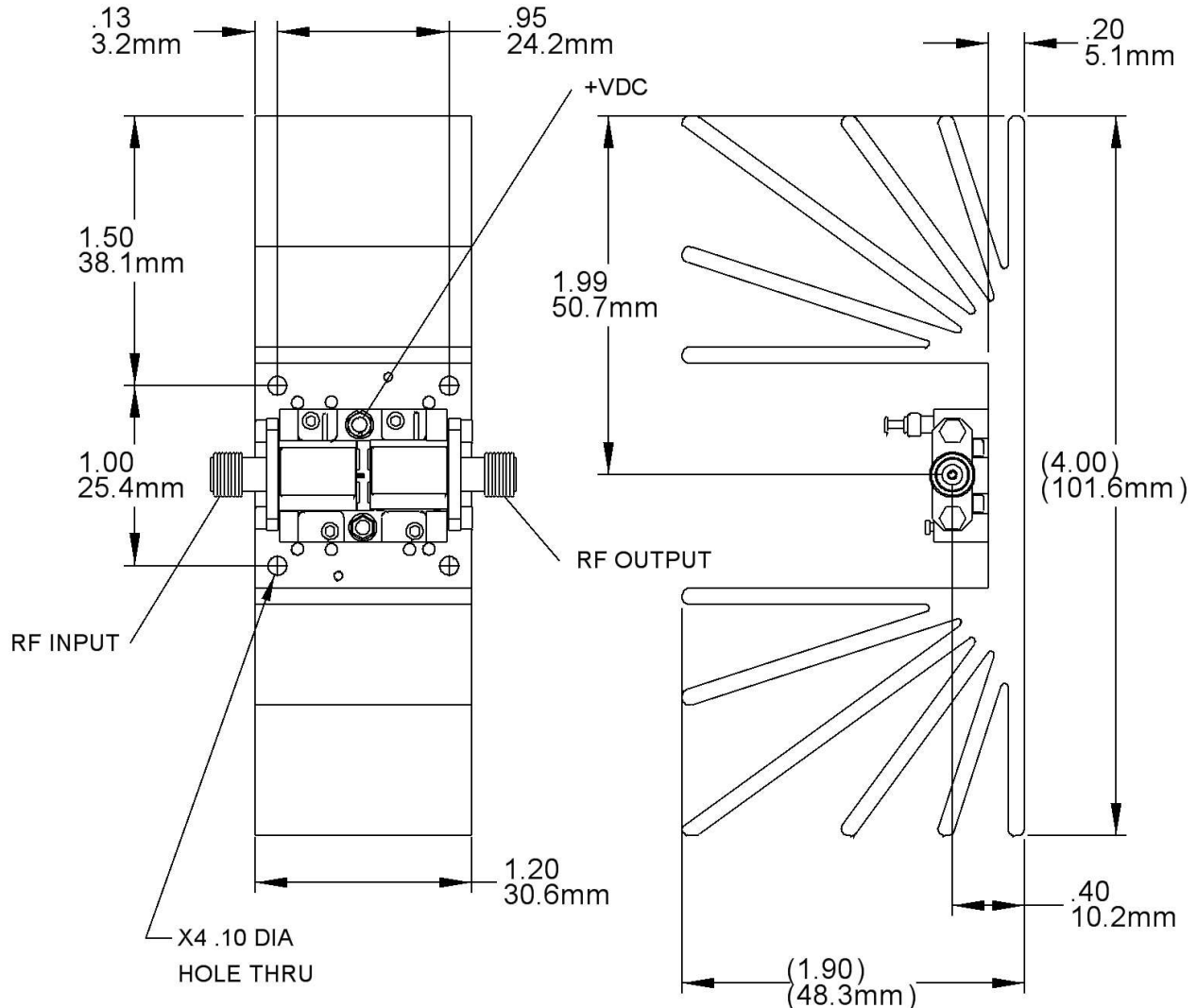
Current Revision

As of 5/3/2010 11:43:32 AM

DWALATA



DASH NO.	APPLICATION		REVISIONS			
	NEXT ASSY	USED ON	LTR	DESCRIPTION	DATE	DRAFTING
			B	Incorporated ECN 15869	04/20/10	



NOTE:

- DIMENSIONS ARE IN INCHES, AND IN [] MILLIMETERS. TOLERANCES AS FOLLOWS:
 $.XX = \pm .01$ [$X.X = \pm .25\text{mm}$]
- OPTION: 'SMA', 'K' OR 'V' TYPE MALE CONNECTORS IN EITHER INPUT, OUTPUT OR BOTH.

ALL PAGES ARE OF ORIGINAL ISSUE (A) EXCEPT AS NOTED.	CONTR NO. MQ0162972		 100 Davids Drive, Hauppauge, New York 11788	
	PREP BY <i>E. Marty</i>	DATE 06/27/08		
TOL: .XXX=.010 .XX=.02	DRAFT DESIGN		OUTLINE, JSD2 MODULE WITH HEATSINK	
	PROJ ENGR <i>N. Shaikh</i>	05/03/10		
	MFG ENGR			
Q.A.		SIZE A	CODE IDENT. NO. 33592	
		SCALE	REV. B	SHEET OF 1