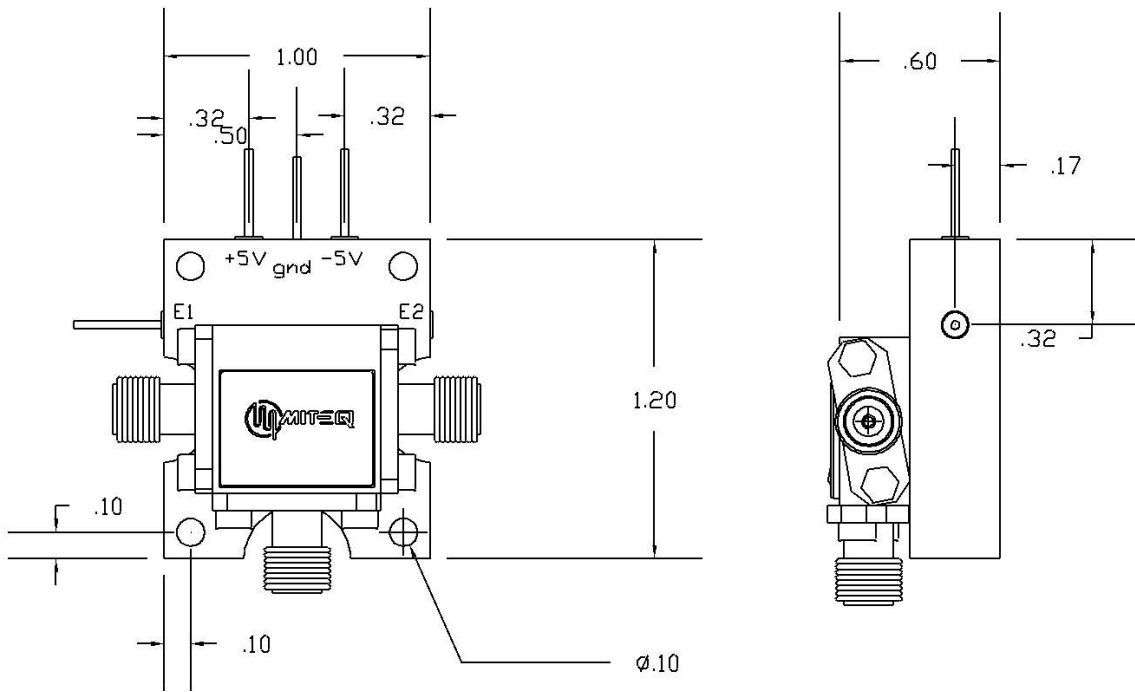


DASH NO.	APPLICATION		REVISIONS			
	NEXT ASSY	USED ON	LTR	DESCRIPTION	DATE	APPROVED
			A	INITIAL RELEASE	09/16/08	<i>J. Kaparelistis</i>



ALL PAGES ARE OF ORIGINAL ISSUE (A) EXCEPT AS NOTED.	CONTR NO.		 100 Davids Drive, Hauppauge, New York 11788		
	PREP BY	DATE			
	<i>J. Kaparelistis</i>	09/16/08	OUTLINE DWG		
	CHKD BY	DATE	SW2-200305RD2NF		
	<i>J. Kaparelistis</i>	09/16/08	SIZE	CODE IDENT. NO.	184572
	PROJ ENGR	DATE	A	33592	
	APPROVAL (PROJ)		SCALE	REV.	A
	APPROVAL (GOVT)				SHEET 1 OF 1