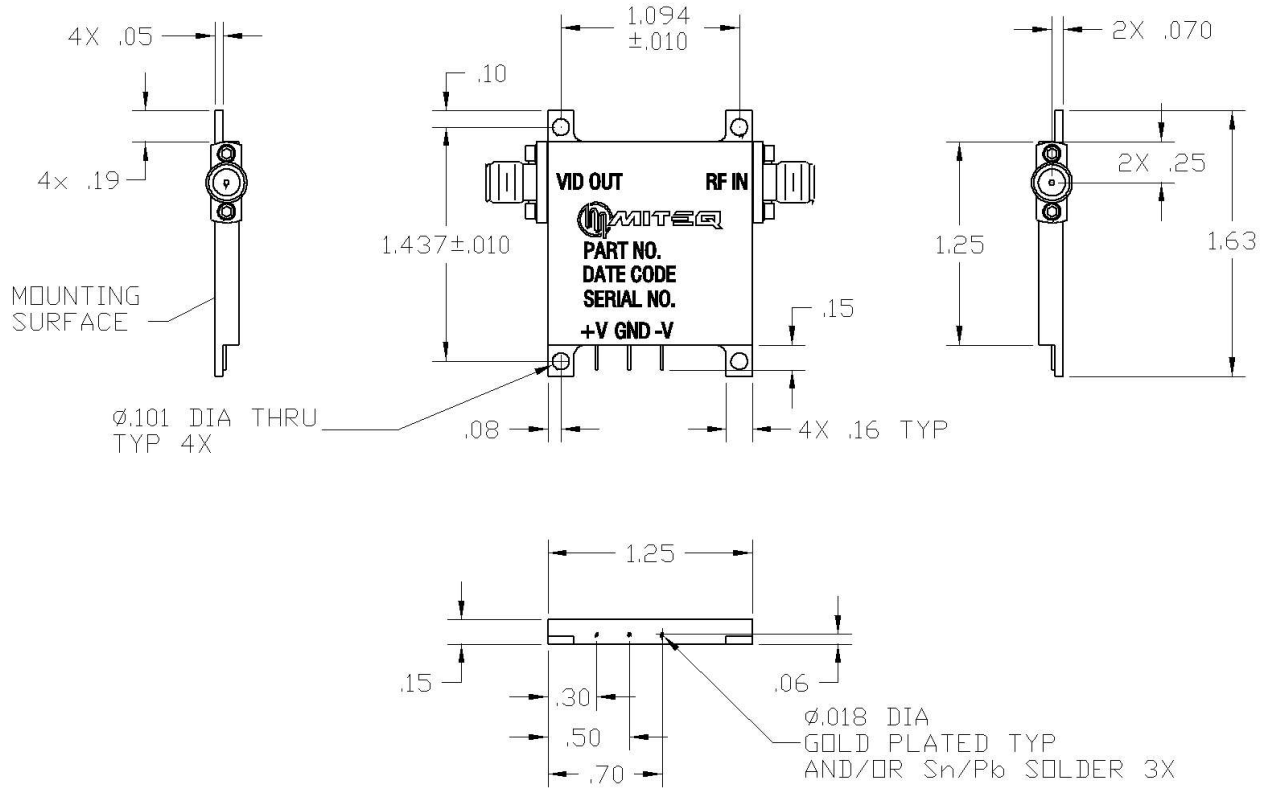


DASH NO.	APPLICATION		REVISIONS			
	NEXT ASSY	USED ON	LTR	DESCRIPTION	DATE	APPROVED
			1	INITIAL RELEASE	07/20/09	J. FOX



ALL PAGES ARE OF ORIGINAL ISSUE (A) EXCEPT AS NOTED.	CONTR. NO.		 100 Davids Drive, Hauppauge, New York 11788		
	PREP BY	DATE			
TOLERANCE: .XX = ±.02 .XXX = ±.010	NAME	DATE	OUTLINE DRAWING, LOG AMPLIFIER, FBLA-2/6-50J		
	BY				
	PROJ ENGR		SIZE	CODE IDENT. NO.	190644
	MFG ENGR		A	33592	
Q.A.		SCALE	REV.	1	SHEET 1 OF 1