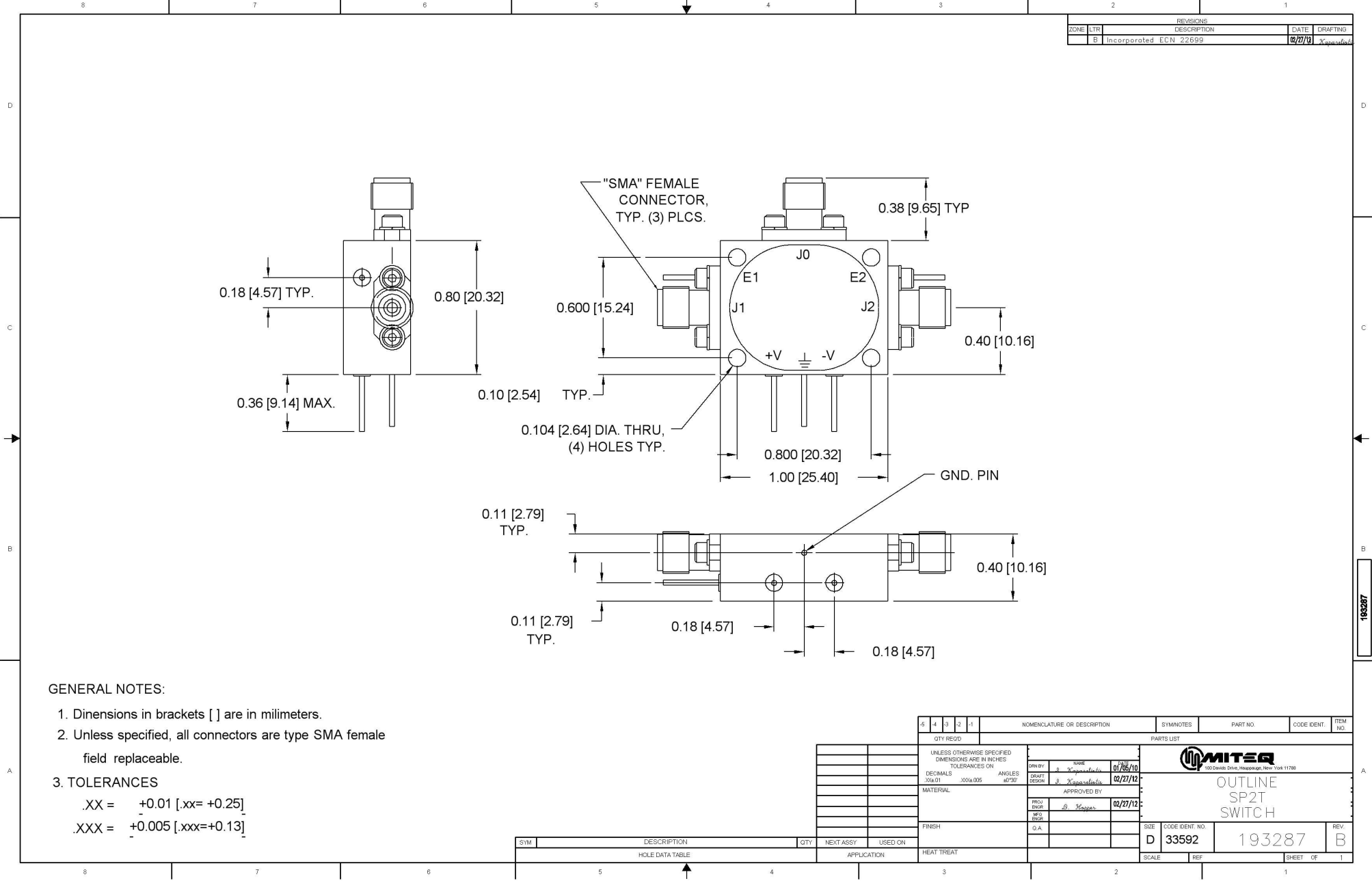


Current Revision

As of 2/29/2012 3:08:50 PM

DWALATA



REVISIONS		DATE	DRAFTING
ZONE	LTR	DESCRIPTION	
B		Incorporated ECN 22699	02/27/12

GENERAL NOTES:

1. Dimensions in brackets [] are in millimeters.
2. Unless specified, all connectors are type SMA female field replaceable.

3. TOLERANCES

.XX = +0.01 [.xx= +0.25]

.XXX = +0.005 [.xxx=+0.13]

5	4	3	2	1	NOMENCLATURE OR DESCRIPTION	SYMBOLS	PART NO.	CODE IDENT.	ITEM NO.									
QTY REQ'D					PARTS LIST													
UNLESS OTHERWISE SPECIFIED DIMENSIONS ARE IN INCHES TOLERANCES ON					<table border="1"> <tr> <td>OWN BY</td> <td>NAME</td> <td>DATE</td> </tr> <tr> <td>DRAFT DESIGN</td> <td>D. Xapandota</td> <td>01/25/10</td> </tr> <tr> <td>APPROVED BY</td> <td>B. Kopper</td> <td>02/27/12</td> </tr> </table>					OWN BY	NAME	DATE	DRAFT DESIGN	D. Xapandota	01/25/10	APPROVED BY	B. Kopper	02/27/12
OWN BY	NAME	DATE																
DRAFT DESIGN	D. Xapandota	01/25/10																
APPROVED BY	B. Kopper	02/27/12																
MATERIAL																		
FINISH					<p>OUTLINE SP2T SWITCH</p>													
SYMBOL					<table border="1"> <tr> <td>SIZE</td> <td>CODE IDENT. NO.</td> <td>REV.</td> </tr> <tr> <td>D</td> <td>33592</td> <td>B</td> </tr> </table>					SIZE	CODE IDENT. NO.	REV.	D	33592	B			
SIZE	CODE IDENT. NO.	REV.																
D	33592	B																
HOLE DATA TABLE					<table border="1"> <tr> <td>SCALE</td> <td>REF</td> <td>SHEET OF</td> </tr> <tr> <td></td> <td></td> <td>1</td> </tr> </table>					SCALE	REF	SHEET OF			1			
SCALE	REF	SHEET OF																
		1																