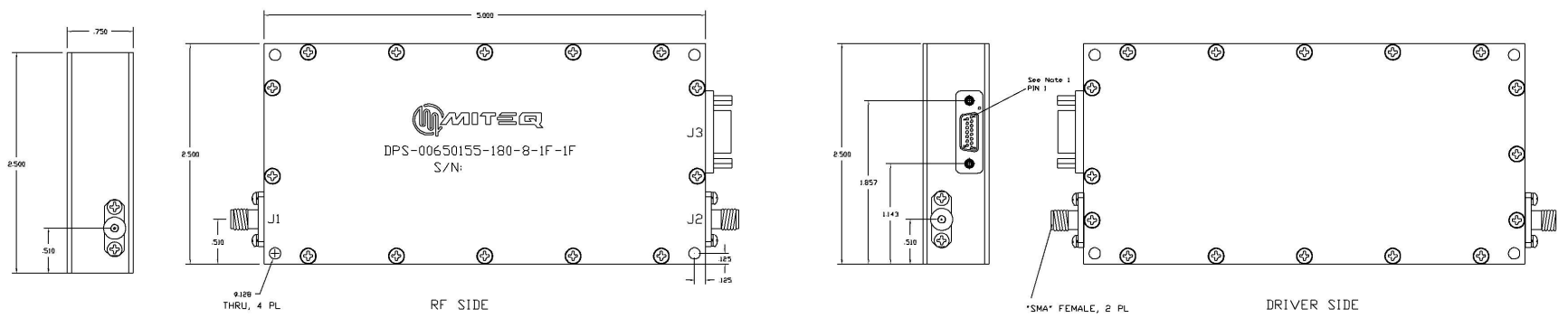


TOLERANCES
 .XX = +0.01
 .XXX = +0.005

REVISIONS			DATE	DRAFTING
ZONE/LTR	DESCRIPTION			
B	Incorporated EGN 16601		06/22/10	



LOGIC TABLE								
Control Inputs								
Phase Shift	S0	S1	S2	S3	S4	S5	S6	S7
Thru Line	0	0	0	0	0	0	0	0
1.4 deg	1	0	0	0	0	0	0	0
2.8 deg	0	1	0	0	0	0	0	0
5.6 deg	0	0	1	0	0	0	0	0
11.25 deg	0	0	0	1	0	0	0	0
22.5 deg	0	0	0	0	1	0	0	0
45 deg	0	0	0	0	0	1	0	0
90 deg	0	0	0	0	0	0	1	0

J3 PINS			
J3-1	+5V	J3-9	GROUND
J3-2	GROUND	J3-10	CONTROL S4
J3-3	-15V	J3-11	CONTROL S5
J3-4	GROUND	J3-12	CONTROL S6
J3-5	CONTROL S0	J3-13	CONTROL S7
J3-6	CONTROL S1	J3-14	N/C
J3-7	CONTROL S2	J3-15	N/C
J3-8	CONTROL S3		

Notes:
 1. J3, Manufacturer: ITT Cannon Industries
 Model: RMDM-15PSB

SYN	DESCRIPTION	QTY	NEXT ASSY	USED ON	HEAT TREAT
	HOLE DATA TABLE				
	APPLICATION				

QTY REQ'D	NOMENCLATURE OR DESCRIPTION	SYM/NOTES	PART NO.	CODE IDENT.	ITEM NO.
	UNLESS OTHERWISE SPECIFIED DIMENSIONS ARE IN INCHES TOLERANCES ON DECIMALS ANGLES .XX±.01 .XXX±.005 ±0°30'	DRN BY J. Kaprielian DATE 04/09/10	100 Belden Drive, Hauppauge, New York, 11788 OUTLINE DPS-00650155-180-8-1F-1F		
	MATERIAL	APPROVED BY J. Dringold 06/24/10	SIZE	CODE IDENT. NO.	REV.
	FINISH	SCALE	REF	SHEET 1	OF 1

194840