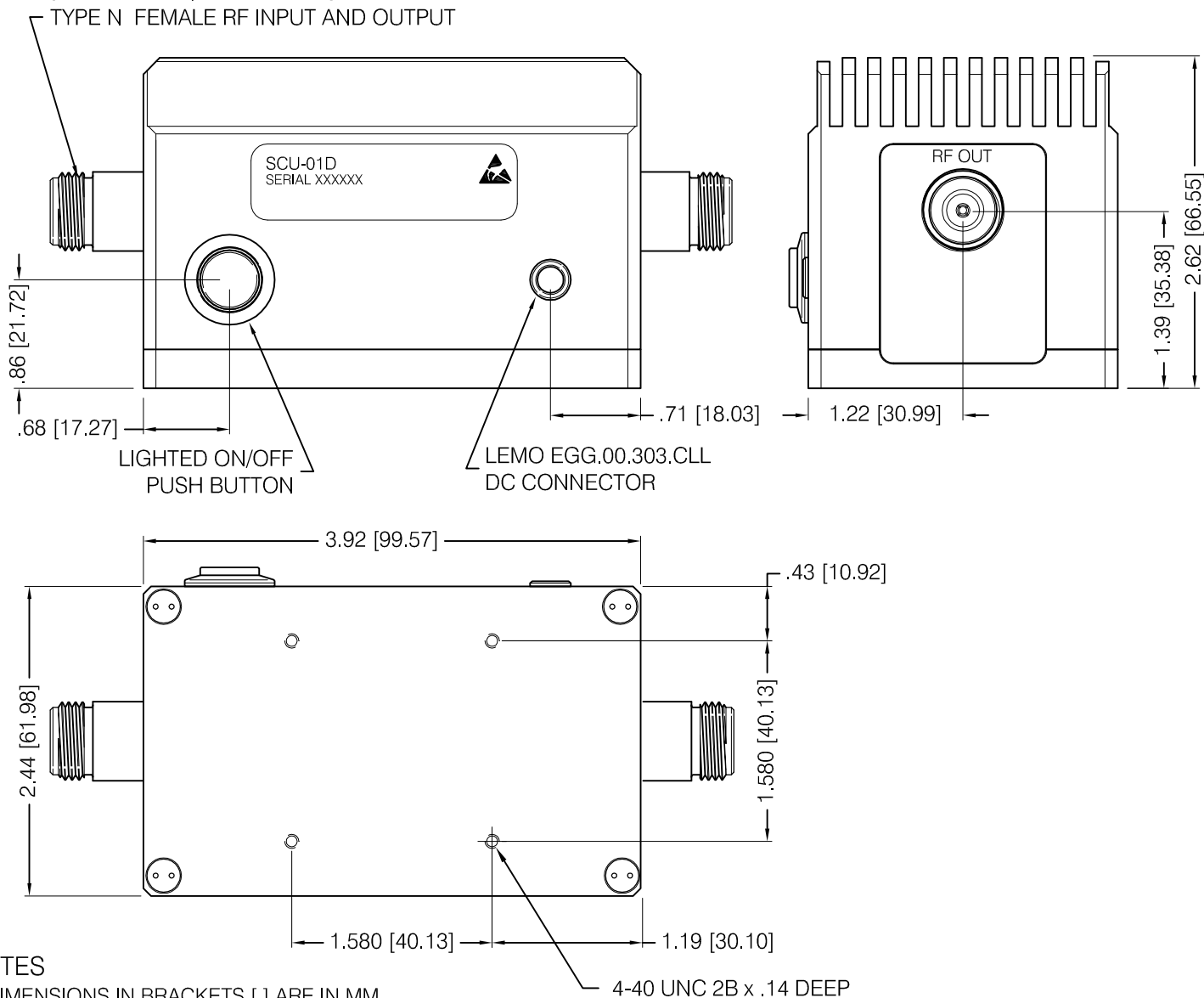


DASH NO.	APPLICATION		REVISIONS			
	NEXT ASSY	USED ON	LTR	DESCRIPTION	DATE	APPROVED
			C	Incorporate ECN 29956	01/13/14	<i>R.Scherer</i>




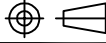

NOTES

1. DIMENSIONS IN BRACKETS [] ARE IN MM
2. CONNECTOR PROTRUSION MAY VARY.
3. MARKING MAY VARY AS PER CUSTOMER SPECIFICATIONS.

SCU-01D

THIS DOCUMENT CERTIFIES THAT THE PRODUCTS STATED IN THIS DOCUMENT ARE IN FULL COMPLIANCE WITH DIRECTIVE 2002/95/EC OF THE EUROPEAN PARLIAMENT AND OF THE COUNCIL OF 27 JANUARY 2003 ON THE RESTRICTION OF THE USE OF CERTAIN HAZARDOUS SUBSTANCES IN ELECTRICAL AND ELECTRONICS EQUIPMENT INCLUDING SUBSEQUENT EXEMPTIONS AND REVISIONS.

THIS DOCUMENT/PRODUCT IS NOT ITAR CONTROLLED - ITAR PARTS ARE PROHIBITED

UNLESS OTHERWISE SPECIFIED DIMENSIONS ARE IN INCHES TOLERANCES ON	NAME	DATE	 100 Davids Drive, Hauppauge, New York 11788 BLUE CRYSTAL LNA N SERIES IN AND OUT OUTLINE			
	DWN <i>R.Scherer</i>	06/04/12				
DECIMAL .X ±0.1 [2.5] DECIMAL .XX ±0.01 [0.25] DECIMAL .XXX ±0.005 [0.13] ANGLES X° ±30'	DFT DGN <i>R.Scherer</i>	01/13/14	SIZE	CODE IDENT. NO.		REV
PROJECTION 	PROJ ENGR <i>N. Shaikh</i>	01/13/14	A	33592	205304	C
	MFG ENGR		SCALE	PROJECT	SHEET	1 OF 1
	Q.C.					
	CUST					